

Year of Construction 2002

Spare parts Catalogue

Precision Chop Loaderwagon

RAPIDE 100 - 130

Lely Australia / New Zealand



Schuitemaker



Schuitemaker Machines BV

P.O. Box 219

7460 AE Rijssen - Holland

Tel: +31 548 514125

Fax: +31 548 516840

E-mail: service@schuitemaker-machines.nl

Website: www.schuitemaker-machines.nl

Contents Lely 2002

Guidelines for ordering spare parts	3
1. <u>P.T.O.</u> Drive schaft with wide-angle yoke and cam-type clutch	5
1.1. Cam-type clutch	5
2. Rotor intake Type-S with drive	7
3. Rotor intake type-SW and V with drive	9
4. Floor chain with drive	13
5. Towbars	15
6. Rotor Gearbox	17
7. Floor driving gearbox	19
8. Pick-up Suspensio with drive (5-Rows)	21
9. 5-Rows Pick-up	23
10. Chopping device	25
11. Feed roller.	27
12. Hydraulic parking support	29
13. Tandem frame TAP-BPW Rapide 100	31
14. Tandem frame Rapide 130	33
15. Gigant Spring assemblies	35
16. Track following wheel axle Rapide 130.	37
17. Wheel axles ADR Rapide 130 (Type 898 Brake 400x80)	39
18. Tandem BPW TAL (Rapide 130)	41
19. Front board Rapide 100	43
20. Front board Rapide 130	45
21. Tailgate	47
22. Distribution beaters Rapide 100-SW	49
23. Distribution beaters Rapide 100-SWV; 130-SWV	51
24. Beater drive with chain tensioner	53
25. Beater protective device	55
26. Tailgate with Cross conveyor	57
27. Hydraulic/Elektrical operation	61
28. Steel construction as windcover Rapide 100	63
29. Extra Slide guide + cords for wind cover construction Rapide 100	65

30. Steel construction + cords as wind cover Rapide 130	67
31. Gear box Type-S	68
32. Gear box Type SW and SWV	69
33. Hydraulic system Rapide 100-S/LS	70
34. Hydraulic system Rapide 100-SW/LS	71
35. Hydraulic system Rapide 100-SWV/LS	73
36. Hydraulic system Rapide 130-S/LS	74
37. Hydraulic system Rapide 130-SWV/LS	75
38. Electrical circuit diagram Rapide S	76
39. Electrical circuit diagram Rapide SW and SWV	77

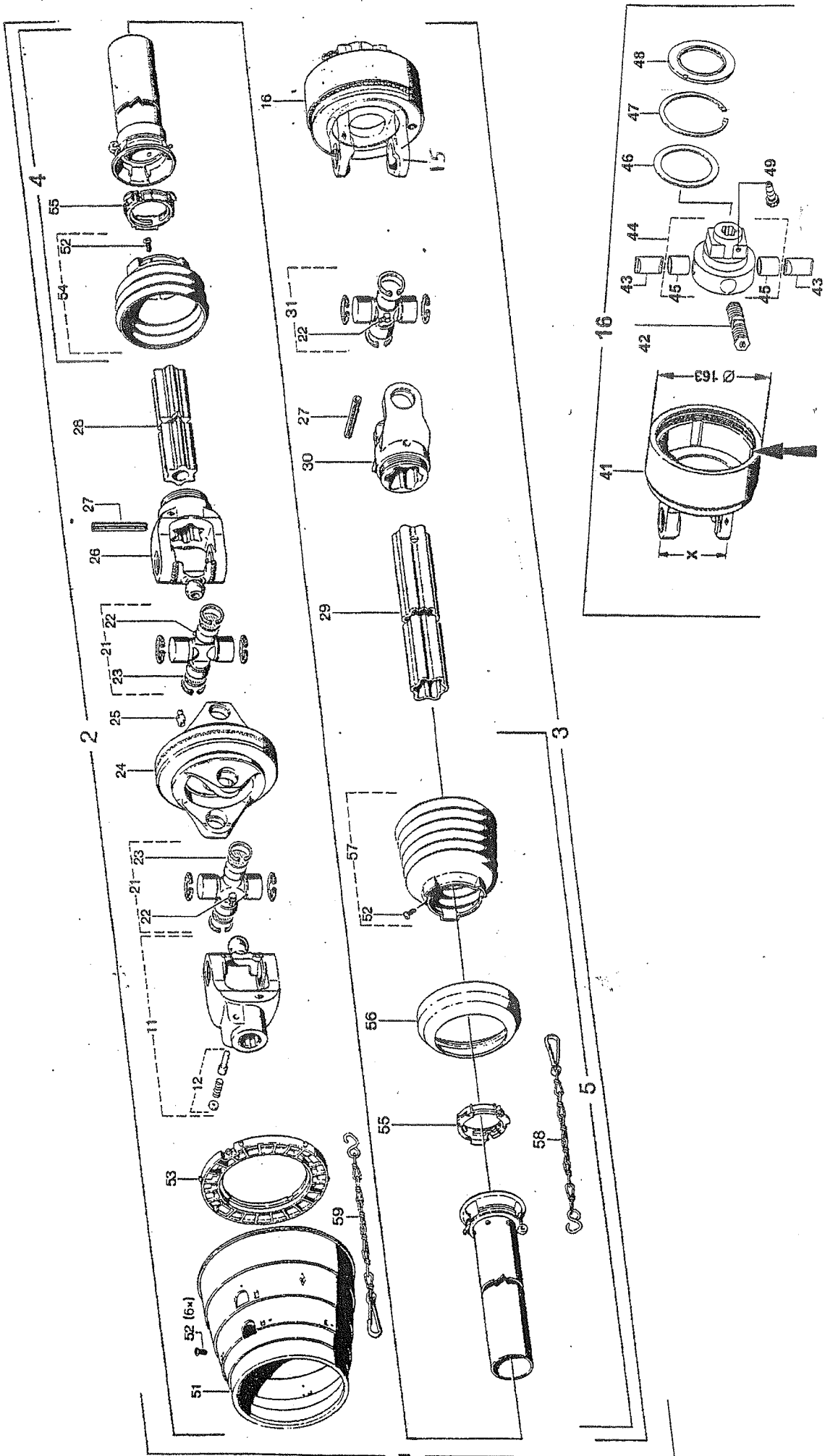
GUIDELINES FOR ORDERING SPARE PARTS

If you follow the rules stated below when ordering spare parts, you will be assured of a fast and correct delivery.

1. State the model, year of construction and serial number of your Rapide
2. State both the full number of the part (if known) and the description.
3. State how the part needs to be despatched.
4. When ordering wheel axle parts, it is also advisable to state the wheel axle type. This can be found on the type plate of the wheel axle.

The numbers of the parts of the SCHUITEMAKER-wagons can be found in the first column below the heading *SR-no.* These can be ordered from:

SCHUITEMAKER Machines B.V. Rijssen – The Netherlands
Postbus 219 - 7460 AE Rijssen – The Netherlands
Tel: 0031 - 548 - 514125
Fax: 0031 - 548 - 516840
Spare Parts Dept.
Ext. 41



1. P.T.O. DRIVE SCHAFT WITH WIDE-ANGLE YOKE AND CAM-TYPE CLUTCH

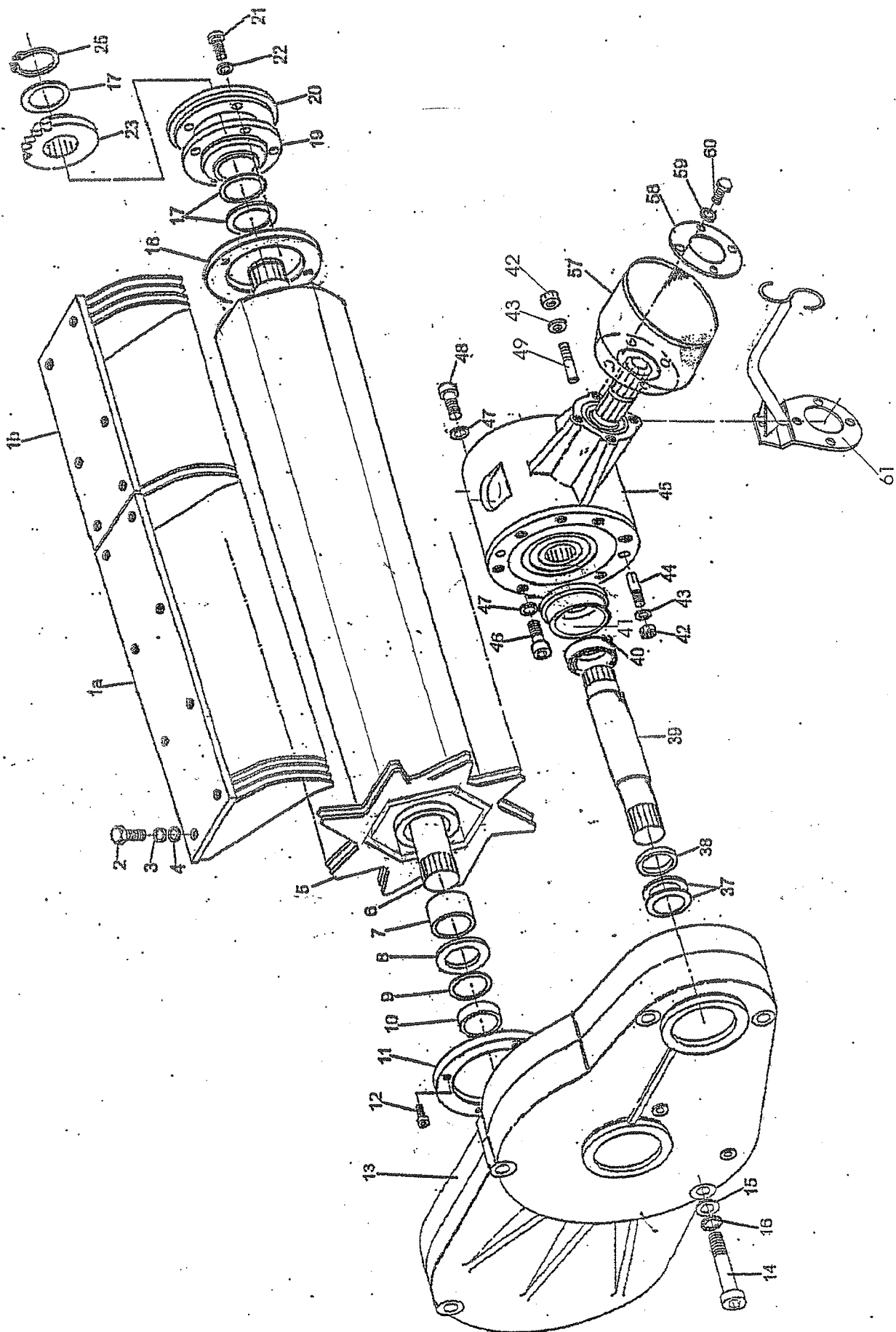
ENKELZIJDIGE GROOTHOEK-KOPPELINGSAS MET NOKKENKOPPELING

<i>Fig.</i>	<i>SR-no.</i>	<i>Omschrijving</i>	<i>Description</i>
1	354.0172	Koppelingsas WWE 2480 1600 Nm cpl.	P.T.O. shaft WWE 2480 1600 Nm cpl.
4	455.0020	Buitenbeschermbuis met kap	Outside protection tube with cover
	455.0153	Buitenbeschermbuis cpl. met kap	Outside protection tube cpl. with cover
5	455.0021	Binnenbeschermbuis	Inner protection tube
	455.0152	Binnenbeschermbuis cpl. met kap	Inner protection tube cpl. with cover
11	455.0048	Groothoek-opsteekgaffel	Wide-angle set-up yoke
12	455.0046	Drukstift set (Agra 101)	Locking pin set (Agra 101)
15	455.0054	Flensgaffel	Flange yoke
16	455.0112	Nokkenschakelkoppeling 1600 Nm	Cam-type clutch 1600 Nm
21	455.0056	Groothoek-kruisstuk (incl. 7; 8)	Wide-angle cross-piece (incl 7; 8)
22	342.0105	Smeernippel M8x1	Grease nipple M8x1
24	455.0049	Dubbel-gaffel	Double yoke
25	342.0105	Smeernippel M8x1	Grease nipple M8x126
26	455.0091	Profielgaffel	Profiled yoke
27	312.0130	Spanstift 10x80-1481	Clamping pin 10x80-1481
28	455.0093	Sterbuis S4GA (binnen)	Profiled tube S4GA (inside)
29	455.0094	Sterbuis S5 (buiten)	Profiled tube S5 (outside)
30	455.0092	Profielgaffel	Profiled yoke
31	455.0055	Kruisstuk cpl.	Cross-piece cpl.
51	455.0161	Beschermtrichter	Protective cover
53	455.0162	Glijring	Sliding ring
54	455.0154	Beschermkap met schroef (incl.15)	Protective cover with screw (incl.15)
55	455.0155	Glijring	Sliding ring
56	455.0088	Steunring	Supporting ring
57	455.0154	Beschermtrichter	Safety cover
59	450.0035	Borgketting	Locking chain

1.1. CAM-TYPE CLUTCH

NOKKENKOPPELING

<i>Fig</i>	<i>SR-no.</i>	<i>Omschrijving</i>	<i>Description</i>
16	455.0112	Nokkenschakelkoppeling 1600 Nm	Cam-type clutch 1600 Nm
41	455.0067	Koppelingshuis	Clutch housing
42	455.0078	Schakelnok 1600 Nm	Switch cam 1600 Nm
43	455.0065	Blokkeernok	Locking cam
44	455.0063	Naaf	Hub
45	455.0064	Glijbus	Sliding sleeve
46	455.0061	Dichtring	Sealing ring
47	313.0214	Borgring I-150	Locking ring I-150
48	455.0062	Steunring	Supporting ring
49	455.0096	Klemkonus	Clamping cone

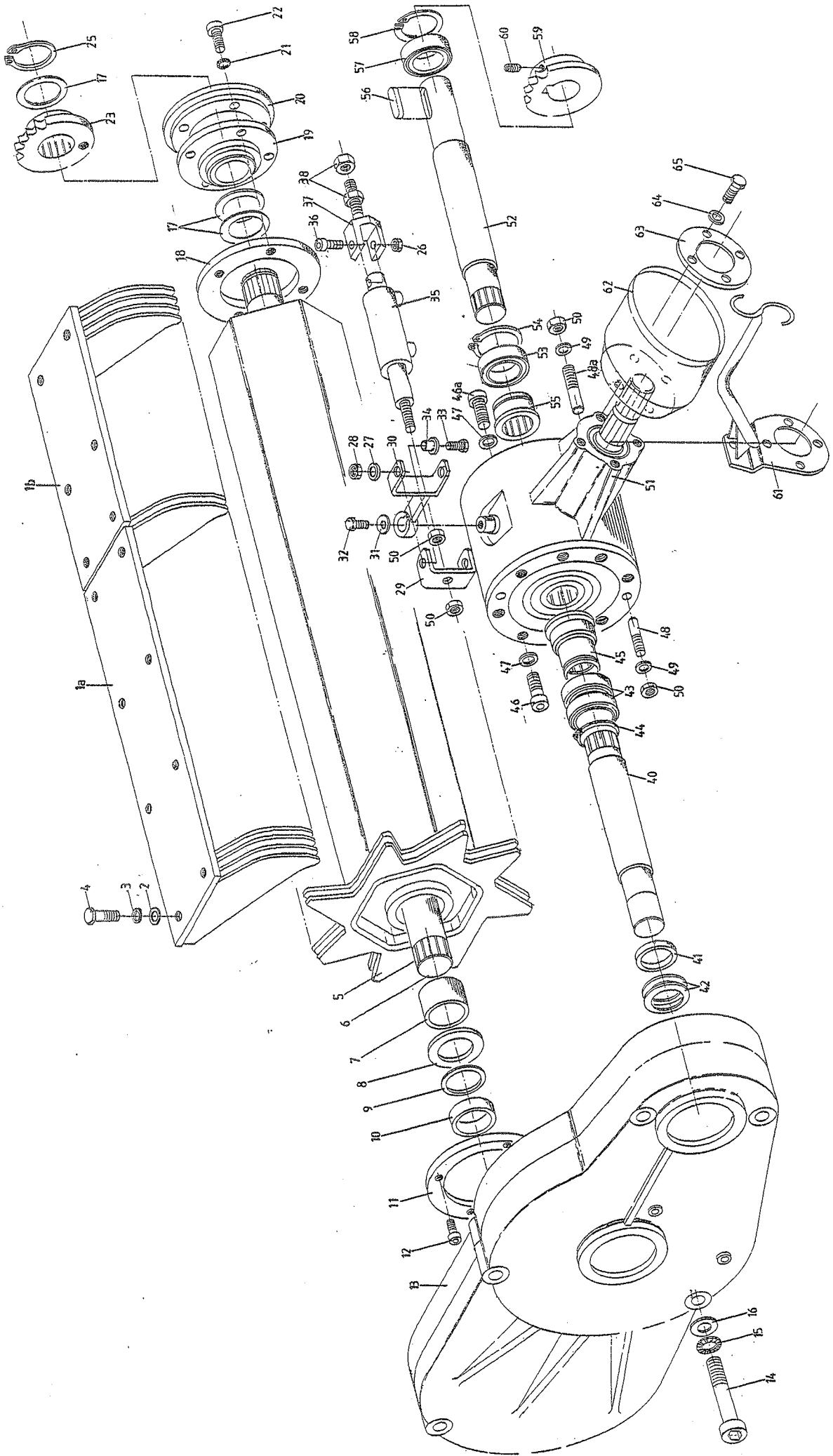


2. ROTOR INTAKE TYPE-S WITH DRIVE

ROTORINVOER MET AANDRIJVING

Drawing no. : 975.0035

<i>Fig.</i>	<i>SR-no.</i>	<i>Omschrijving</i>	<i>Description</i>
1a	961.0542	Afstrijkerlijst lang	Stripper frame long
1b	961.0543	Afstrijkerlijst kort	Stripper frame short
	934.0383	Afstrijker	Stripper
2	301.0803	Bout M12×20	Bolt M12×20
3	316.0902	Tandveerring J12	Toothed spring ring J12
4	316.0702	Sluitring A13	Washer A13
5	961.0930	Rotor 8T/6K-A72×66	Rotor 8T/6K-A72×66
6	921.0273	Rotoras B72×66	Rotor shaft B72×66
7	402.0211	Glijlager N72100	Slide bearing N72100
8	403.0135	Loopschijf LS-75100	Counting disc LS-75100
9	349.0089	Vulschijf PS-75×95×1	Filler disc PS-75×95×1
	349.0090	Vulschijf PS-75×95×2	Filler disc PS-75×95×2
10	926.0336	Afstandbus 7228	Spacing sleeve 7228
11	937.0016	Afdichtschijf 60/M8	Sealing disc 60/M8
12	302.0607	Cilinderkopbout M8×20	Cylinder head bolt M8×20
13	351.0074	Rotortandwielkast A72×66 (zie blz. 17)	Rotor gearbox A72×66 (page 17)
14	302.0637	Cilinderkopbout M16×160	Cylinder head bolt M16×160
	302.0639	Cilinderkopbout M16×200	Cylinder head bolt M16×200
15	316.0707	Sluitring A17	Washer A17
16	316.0919	Tandveerring J16,5	Toothed spring ring J16,5
17	349.0044	Vulschijf 60×75×1	Filler disc 60×75×1
	349.0047	Vulschijf 60×75×2	Filler disc 60×75×2
18	937.0017	Afdichtschijf 60/M16	Sealing disc 60/M16
19	900.0132	Kogellager RME 60/192	Ball bearing RME 60/192
20	936.0809	Eindflens 60/8	End flange 60/8
21	301.0836	Bout M16×45	Bolt M16×45
22	316.0919	Tandveerring J16,5	Toothed lock washer J16,5
23	953.0673	Kettingwiel ¾"-26	Chain wheel ¾"-26
	900.0211	Breekbout M12×62	Shearing bolt M12×62
25	313.0121	Borgring A-60	Locking ring A-60
37	456.0064	Schotelring	Belleville washer
38	456.0063	Steunring	Ring
39	456.0060	Drijfjas B50×45	Rotor drive shaft B50×45
40	401.0208	Kogellager 6209-2RS	Ball bearing 6209-2RS
41	456.0097	Lagerbus	Bearing bushe
42	306.0704	Moer M12	Nut M12
43	316.0702	Sluitring A13	Washer A13
44	456.0098	Paspen 12M6x57	Dowel 12M6x57
45	351.0066	Tandwielkast WG-13>28 (zie blz.68)	Gear box WG-13>28 (page 68)
46	302.0640	Cilinderkopbout M16x50	Cylinder head bolt M16x50
47	316.0919	Veerring 16mm	Spring ring 16mm
48	302.0623	Cilinderkopbout M16x40	Cylinder head bolt M16x40
49	456.0018	Paspen 12M6x47	Dowel 12M6x47
57	900.0116	Beschermtrichter	Protective cover
58	934.0136	Versterkingsring	Reinforcing ring
59	316.0906	Veerring 12mm	Spring ring 10mm
60	301.0805	Bout M10x25	Bolt M10x25
61	968.0344	Slanghouder	Hose reels

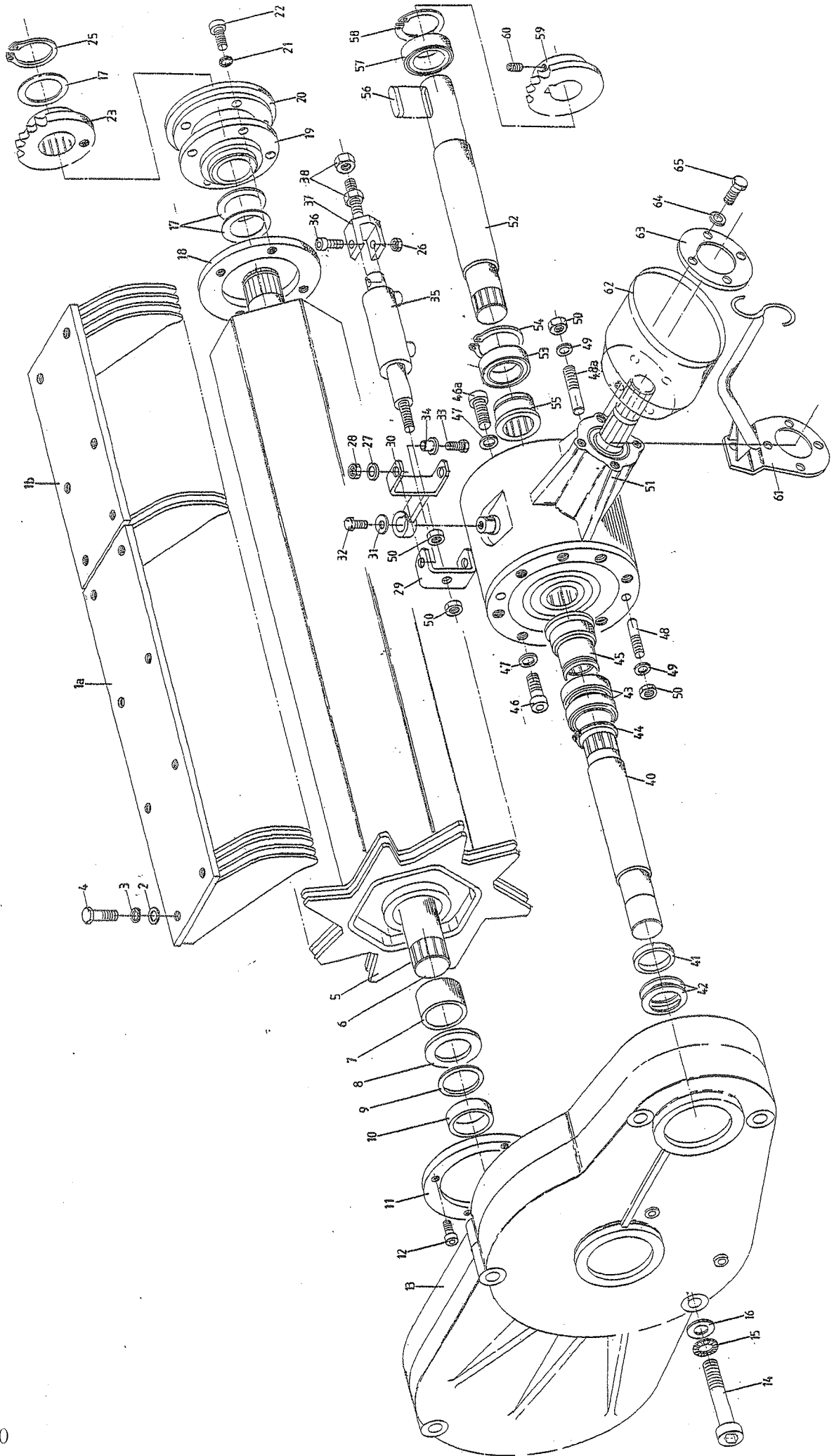


3. ROTOR INTAKE TYPE-SW AND V WITH DRIVE

ROTORINVOER MET AANDRIJVING

Drawing no. : 975.0039

<i>Fig.</i>	<i>SR-no.</i>	<i>Omschrijving</i>	<i>Description</i>
1a	961.0542	Afstrijkerlijst lang	Stripper frame long
1b	961.0543	Afstrijkerlijst kort	Stripper frame short
	934.0383	Afstrijker	Stripper
2	301.0803	Bout M12×20	Bolt M12×20
3	316.0902	Tandveerring J12	Toothed spring ring J12
4	316.0702	Sluitring A13	Washer A13
5	961.0930	Rotor 8T/6K-A72×66	Rotor 8T/6K-A72×66
6	921.0273	Rotoras B72×66	Rotor shaft B72×66
7	402.0211	Glijlager N72100	Slide bearing N72100
8	403.0135	Loopschijf LS-75100	Counting disc LS-75100
9	349.0089	Vulschijf PS-75×95×1	Filler disc PS-75×95×1
	349.0090	Vulschijf PS-75×95×2	Filler disc PS-75×95×2
10	926.0336	Afstandbus 7228	Spacing sleeve 7228
11	937.0016	Afdichtschijf 60/M8	Sealing disc 60/M8
12	302.0607	Cilinderkopbout M8×20	Cylinder head bolt M8×20
13	351.0074	Rotortandwielkast A72×66 (zie blz. 17)	Rotor gearbox A72×66 (page 17)
14	302.0637	Cilinderkopbout M16×160	Cylinder head bolt M16×160
	302.0639	Cilinderkopbout M16×200	Cylinder head bolt M16×200
15	316.0707	Sluitring A17	Washer A17
16	316.0919	Tandveerring J16,5	Toothed spring ring J16,5
17	349.0044	Vulschijf 60×75×1	Filler disc 60×75×1
	349.0047	Vulschijf 60×75×2	Filler disc 60×75×2
18	937.0017	Afdichtschijf 60/M16	Sealing disc 60/M16
19	900.0132	Kogellager RME 60/192	Ball bearing RME 60/192
20	936.0809	Eindflens 60/8	End flange 60/8
21	301.0836	Bout M16×45	Bolt M16×45
22	316.0919	Tandveerring J16,6	Toothed lock washer J16,5
23	953.0673	Kettingwiel ¾"-26	Chain wheel ¾"-26
23a	900.0211	Breekbout M12×62	Shearing bolt M12×62
25	313.0121	Borgring A-60	Locking ring A-60
26	306.0306	Borgmoer M10	Locking nut M10
27	316.0709	Sluitplaat A6,4	Washer A6,4
28	306.0311	Borgmoer M6	Locking nut M6
29	913.1185	U-beugel met gat	U-bracket
30	961.0997	Schakelhefboom	Gear lever
31	316.0713	Sluitring R9	Washer R9
32	301.0806	Bout M8x20	Bolt M8x20
33	301.0827	Bout M6x25	Bolt M6x25
34	402.0166	Glijlager 6/10x16	Slide bearing 6/10x16
35	355.3005	Hydr cilinder D16/25-100	Hydr cylinder D16/25-100
36	302.0602	Cilinderkopbout M10x45	Cylinder head bolt M10x45
37	921.0328	Stelgaffel M12	Adjusting fork M12
38	306.0302	Borgmoer M12	Locking nut M12

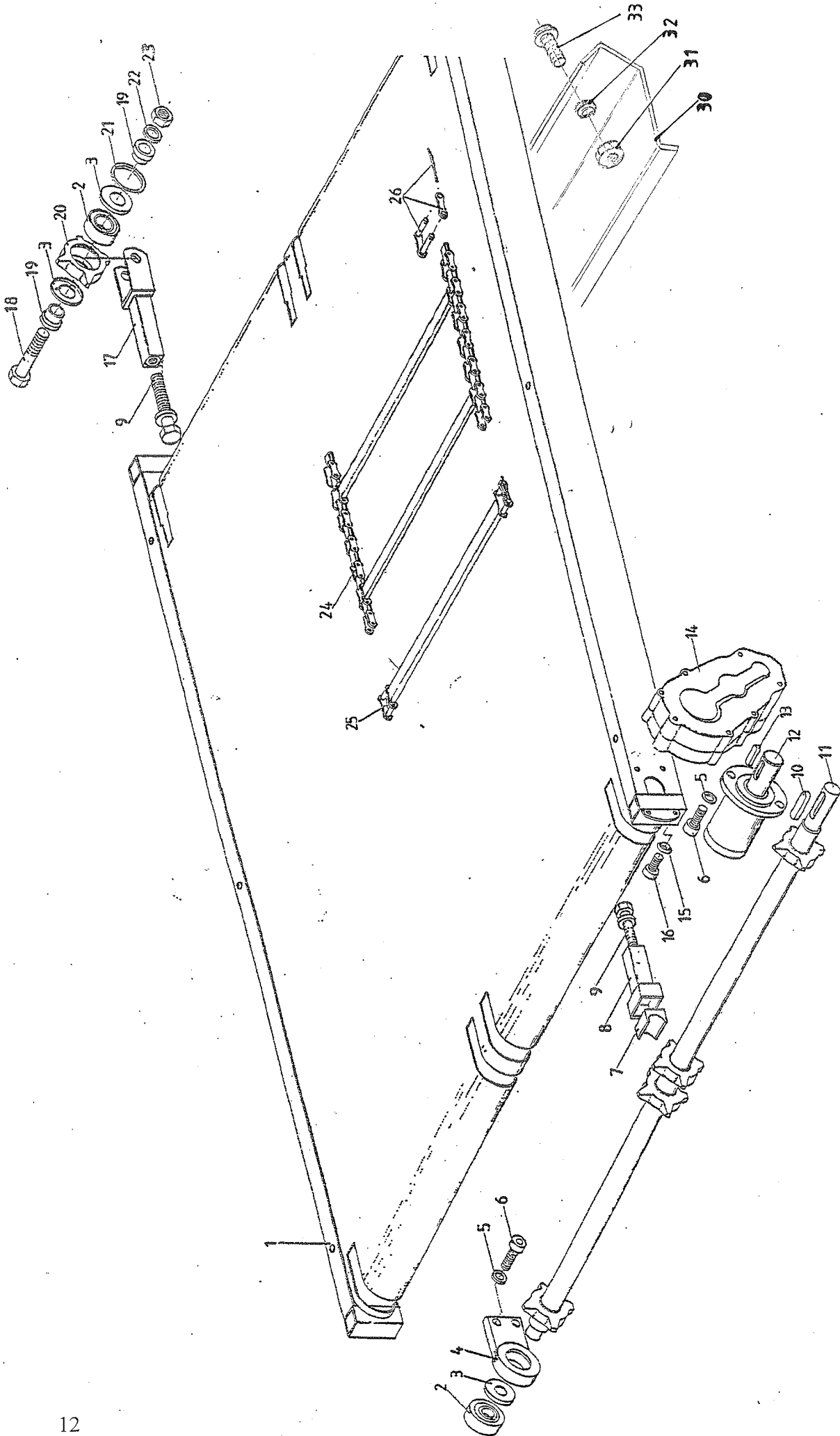


CONTIUATION ROTOR INTAKE TYPE-SW WITH GEAR

VERVOLG ROTORINVOER MET AANDRIJVING

Drawing no. : 975.0039

<i>Fig.</i>	<i>SR-no.</i>	<i>Omschrijving</i>	<i>Description</i>
40	456.0059	Rotordrijfas B50x45	Rotor drive shaft B50x45
41	456.0063	Steuning	Buche
42	456.0064	Schotelring	Belleville washer
43	401.0231	Kogellager 6012-2RS	Ball bearing 6012-2RS
44	313.0121	Borgring A-60	Safety ring A-60
45	456.0099	Schakelbus	Gear bush
46	302.0640	Cilinderkopbout M16x50	Cylinder head bolt M16x50
46a	302.0623	Cilinderkopbout M16x40	Cylinder head bolt M16x40
47	316.0919	Veerring 16 mm	Spring washer 16 mm
48	456.0098	Paspen 12M6x57	Dowel 12M6x57
48a	456.0018	Paspen 12M6x47	Dowel 12M6x47
49	316.0702	Sluitring A13	Washer A13
50	306.0704	Moer M12	Nut M12
51	351.0076	Schakeltandwielkast SG-13/28 (zie blz.69)	Gear box SG-13/28 (See page 69)
52	456.0061	Verdeler-drijfas	Beater drive shaft
53	401.0275	Kogellager 6011-2RS	Ball bearing 6011-2RS
54	313.0124	Borgring A-55	Safety ring A-55
55	456.0100	Splinesbus	Bush with splines
56	315.0123	Spie 12x8x45	Key 12x8x45
57	401.0209	Kogellager 6308-2RS	Ball bearing 6308-2RS
58	313.0212	Borgring I-90	Safety ring I-90
59	353.0407	Kettingwiel 1"-17/40	Chain sprocket 1"-17/40
60	304.0114	Stelschroef M10x20	Set screw M10x20
61	968.0344	Slanghouder	Hose reels
62	900.0116	Beschermtrichter	Protective cover
63	934.0136	Versterkingsring	Reinforcing ring
64	316.0906	Veerring 10mm	Spring ring 10mm
65	301.0805	Bout M10x25	Bolt M10x25

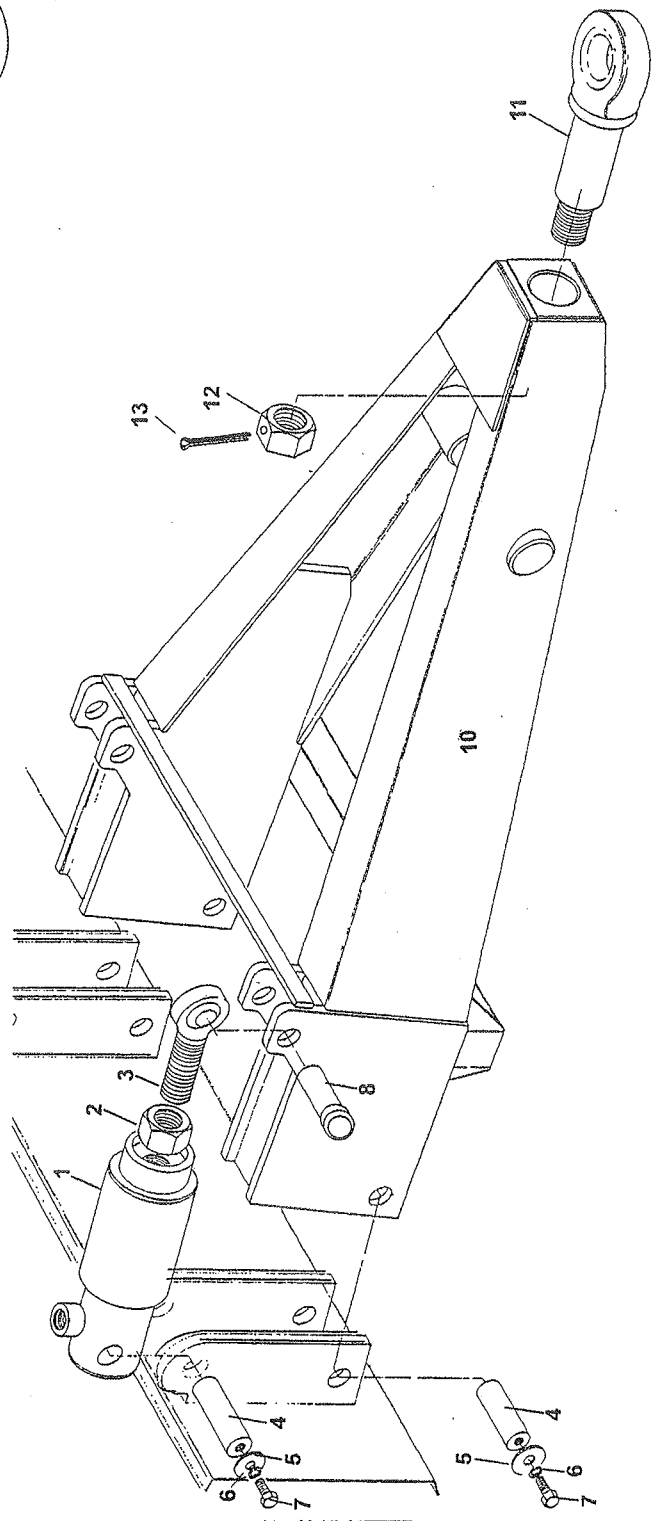
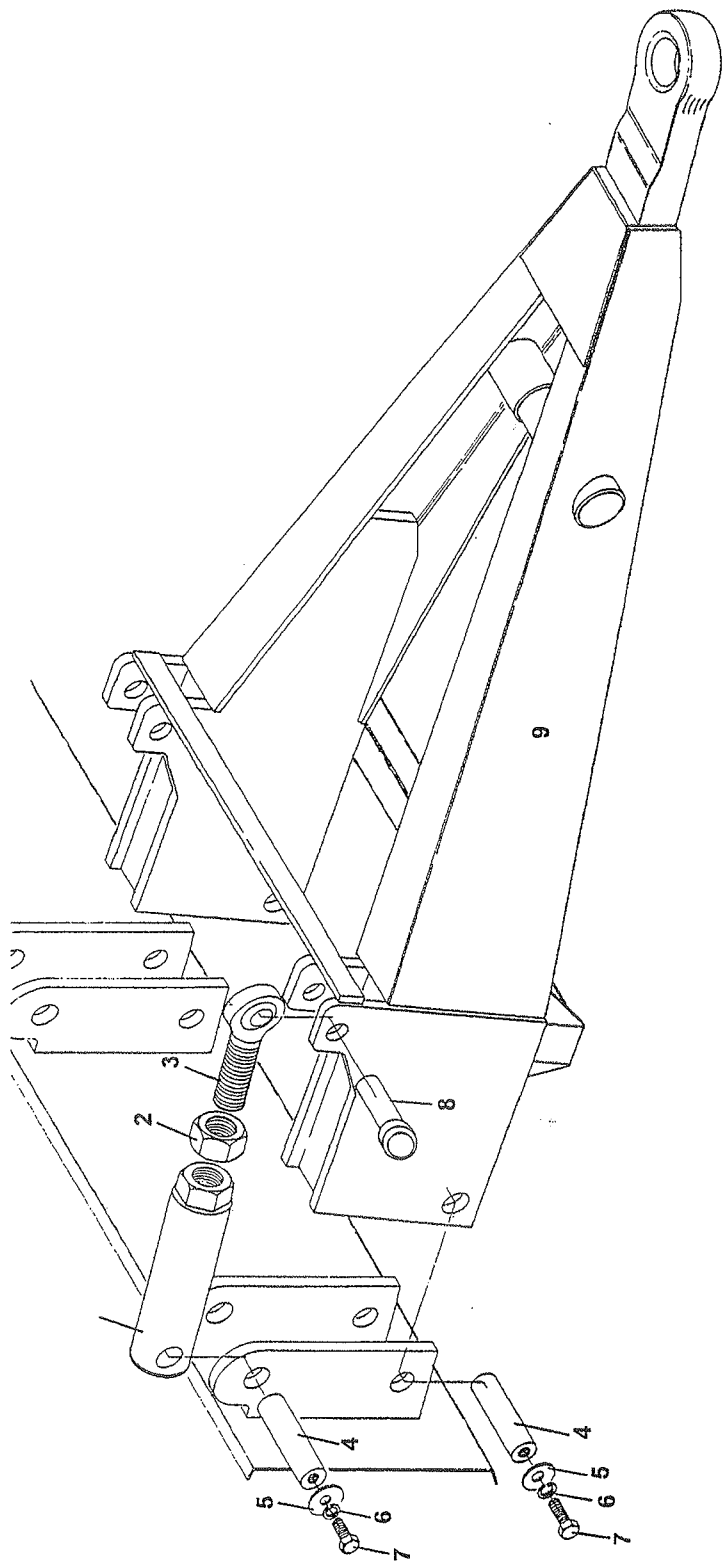


4. FLOOR CHAIN WITH DRIVE

BODEMKETTING MET AANDRIJVING

Drawing no.: 975.0019

<i>Fig.</i>	<i>SR-no.</i>	<i>Omschrijving</i>	<i>Description</i>
2	401.0107	Kogellager 6306-2RS	Ball bearing 6306-2RS
3	361.0119	Nilosring 6306-AV	Nilos ring 6306-AV
4	941.0086	Glandlagerhuis	Gland bearing housing
5	316.0904	Veerring 12 mm	Spring ring 12 mm
6	302.0615	Cilinderkopbout M12x35	Cylinder head bolt M12x35
7	402.0154	Steunlagerblok 45	Suspension bearing block 45
	402.0165	Steunlagerblok 50	Suspension bearing block 50
8	966.0001	Steunlagerhuis	Suspension bearing housing
9	303.0958	Spanbout M16	Tensioning bolt M16
10	315.0121	Spie 14x9x80	Feather key 14x9x80
11	968.0361	Transportkettingas	Transport chain pinion axle
12	355.0510	Hydromotor OMP-125	Hydro Motor OMP-125
13	315.0103	Spie 8x7x30	Feather key 8x7x30
14	351.0024	Zijkast Ø45 (zie blz. 19)	Side box Ø45 (page 19)
15	316.0917	Bolle veerring C12,5	Spring ring C12,5
16	302.0630	Cilinderkopbout M12x25	Cylinder head bolt M12x25
17	967.0581	Kettingspanner	Chain tensioner
18	301.0745	Bout M16x70	Bolt M16x70
19	925.0481	Klembus	Clamping bush
20	942.0029	Kettingspanwiel	Chain sprocket
21	313.0401	Seegersprengring SB72	Seeger circlip-SB72
22	316.0901	Veerring 16 mm	Spring ring 16 mm
23	306.0702	Moer M16	Nut M16
24	969.1321	Bodemketting (Rapide 100)	Floor chain (Rapide 100)
	969.1322	Bodemketting (Rapide 130)	Floor chain (Rapide 130)
25	966.0069	Kettingstaaf 22/2	Chain rod 22/2
26	431.0122	Verbindingsschalm	Joining link
30	937.0995	Afsluitplaat (Rapide 130)	Closing plate (Rapide 130)
31	306.0306	Borgmoer M10	Locking nut M10
32	316.0705	Sluitring A10,5	Washer A10,5
33	303.0728	Slotbout M10x25	Bolt M10x25

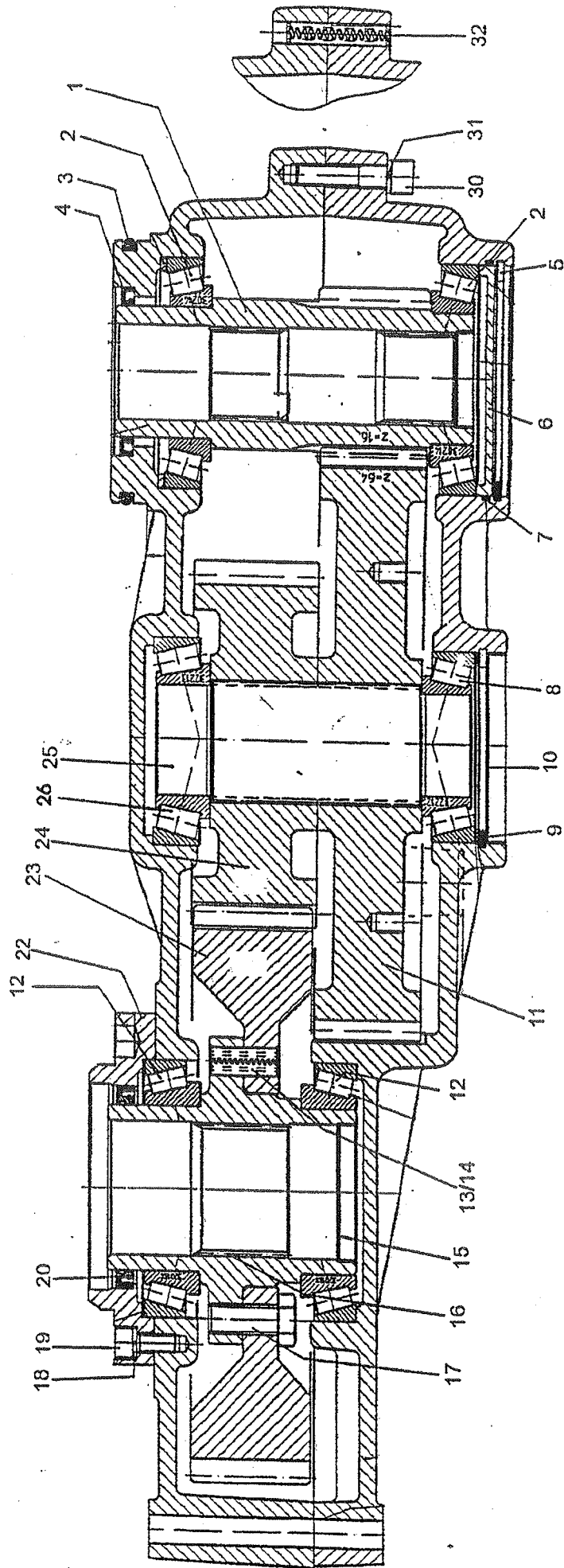


5. TOWBARS

TREKKOPPEN

Drawing no. 975.0005

<i>Fig.</i>	<i>SR-no.</i>	<i>Omschrijving</i>	<i>Description</i>
1	355.0773	Hydraulische cilinder	Hydr. Cylinder
1a	454.0808	Set afdichtingen	Set of seals
2	306.0716	Moer M39×3	Nut M39×3
3	401.0222	Stangkop GAR-40 DO	Rodend GAR-40 DO
4	920.0753	Scharnierpen-30	Pivoting -pin 30
5	316.0742	Sluitring 50/11-8	Washer 50/11-8
6	316.0906	Veerring 10 mm	Spring washer 10 mm
7	301.0805	Bout M10×25	Bolt M10×25
8	921.0077	Scharnieras-40	Hinge pin-40
9	968.0832	Trekkop KD/VO (Rap100)	Tow bar KD/VO (Rap100)
10	968.0833	Trekkop KD/DO incl. 11 (Rap.130)	Tow bar KD/DO incl.11 (Rap.130)
11	900.0231	Draaibaar trekoog (incl.12 en 13)	Revolving drawing eye (incl. 12 and 13)
12	306.0718	Moer M42×4,5	Nut M42×4,5
13	375.0139	Splitpen 8x90	Split pin 8x90

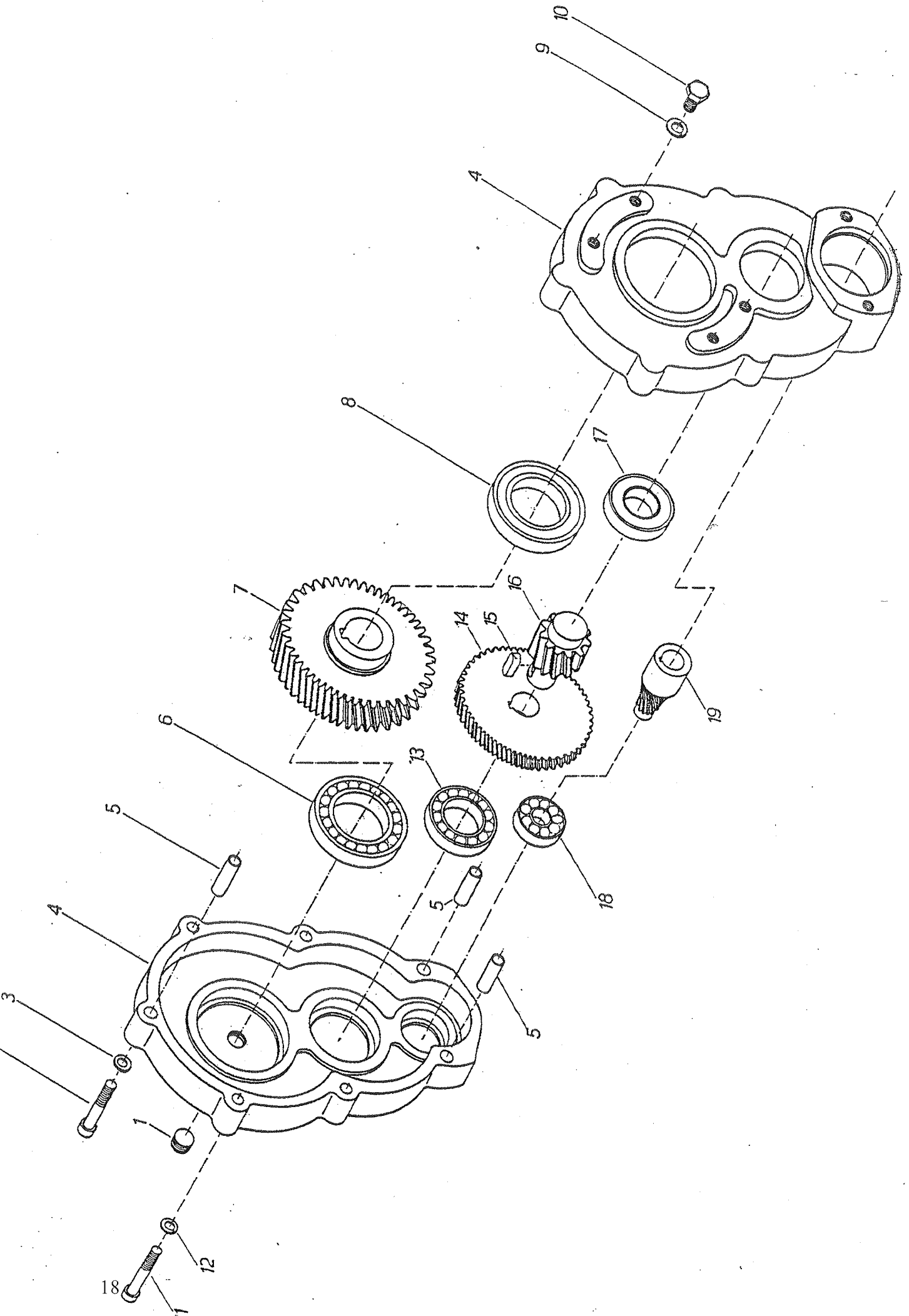


6. ROTOR GEARBOX.

ROTOR TANDWIELKAST

Article no. : 351.0074

<i>Fig.</i>	<i>SR-no.</i>	<i>Omschrijving</i>	<i>Description</i>
1	456.0066	Rondselas A50×45 Z=16	Pinion Z=16
2	401.0197	Kegellager 30214	Cone bearing 30214
3	365.0013	O-ring 130×5	O-ring 130×5
4	361.0138	Oliekeerring 70×90×7	Oil catcher 70×90×7
5	313.0218	Borgring I-125	Locking ring I-125
6	456.0071	Deksel-125	Cover-125
7	365.0015	O-ring 125×3	O-ring 125×3
8	401.0145	Kegellager 32212	Cone bearing 32212
9	313.0216	Borgring I-110	Locking ring I-110
10	349.0098	Deksel 110	Cover 110
11	456.0067	Tandwiel Z=64	Gear wheel Z=64
12	401.0149	Kegellager 32018	Cone bearing 32018
13	312.0136	Spanhuls 16×40	Clamping sleeve 16×40
14	312.0135	Spanhuls 10×40	Clamping sleeve 10×40
15	349.0092	Deksel 75	Cover 75
16	456.0069	Profielnaaf A72	Nave with splines A72
17	302.0644	Bout M16×1,5×40	Bolt M16×1,5×40
18	316.0906	Veerring 10 mm	Spring washer 10 mm
19	302.0601	Cilinderkopbout M10×25	Cylinder head bolt M10×25
20	361.0149	Oliekeerring 90×110×10	Oil catcher 90×110×10
22	456.0071	Lagerdeksel	Bearing cover
23	456.0303	Tandwiel Z=37-m8	Gear wheel Z=37-m8
24	456.0304	Tandwiel Z=23-m8	Gear wheel Z=23-m8
25	456.0073	Profielas	Shaft with splines
26	401.0195	Kegellager 32213	Cone bearing 32213
30	302.0642	Cilinderkopbout M12×45	Cylinder head bolt M12×45
	302.0643	Cilinderkopbout M12×55	Cylinder head bolt M12×55
	302.0616	Cilinderkopbout M12×100	Cylinder head bolt M12×100
31	316.0904	Veerring 12 mm	Spring washer 12 mm
32	312.0137	Spanhuls 12×60	Clamping sleeve 12×60
33	456.019	Ontluchttingsnippel M18×1,5	Air release plug M18×1,5
34	355.0279	Vulplug M18×1,5	Drain plug M18×1,5
35	456.0058	Aftapplug magn. M18×1,5	Drain plug magn. M18×1,5
36	364.0025	Dichtring 18×24×1,5	Sealing ring 18×24×1,5

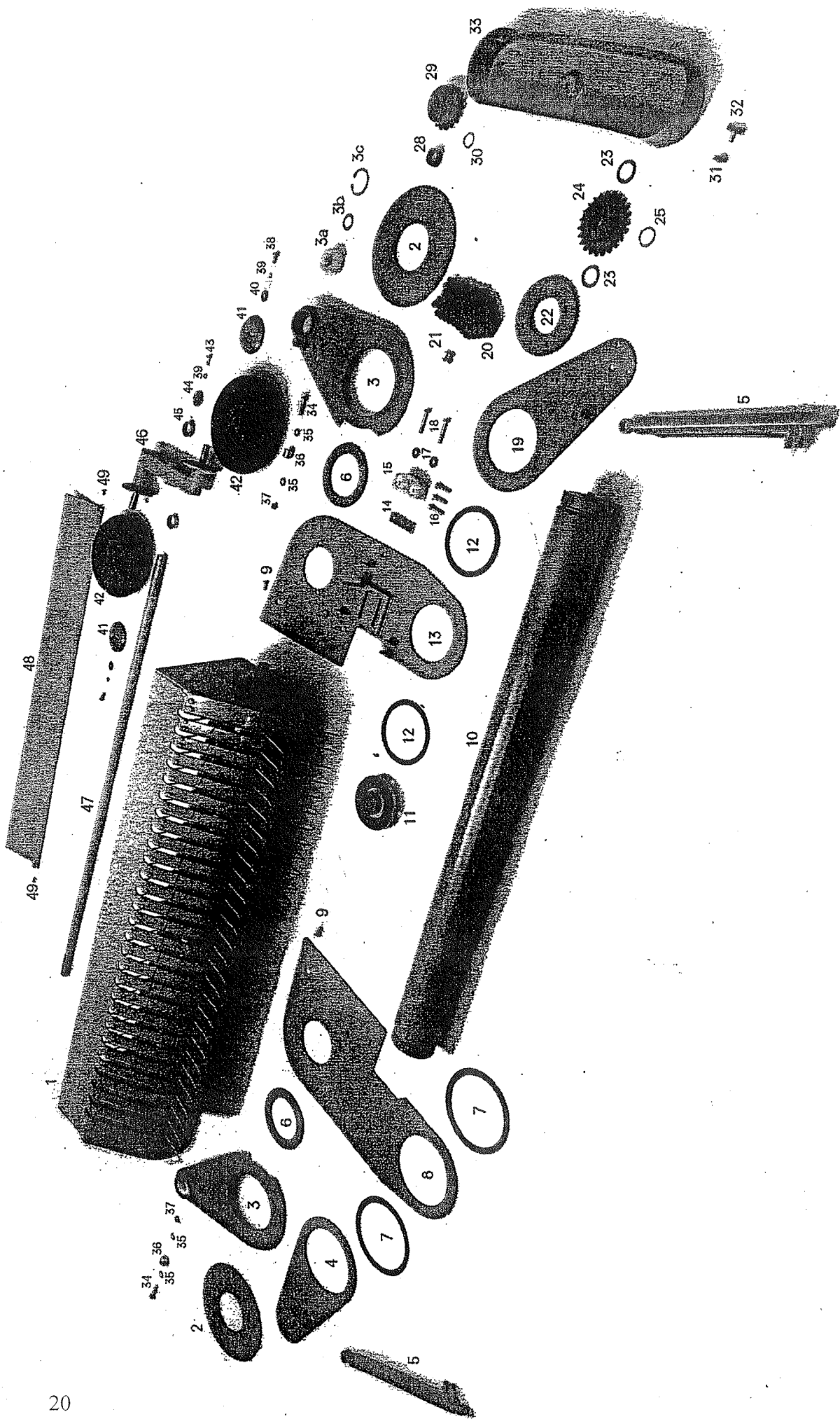


7. FLOOR DRIVING GEARBOX

BODEM-AANDRIJFKAST

Article no. : 351.0024

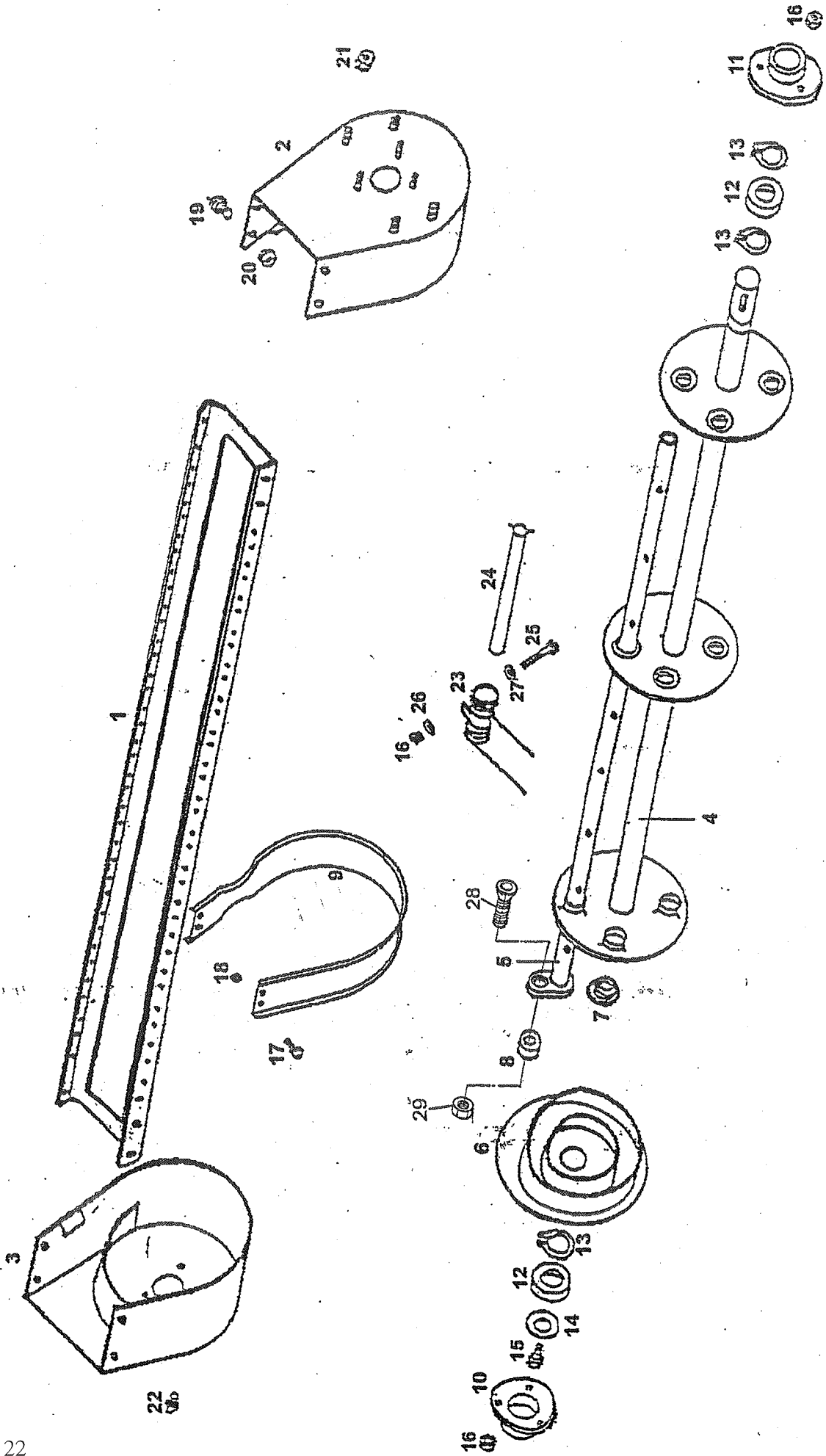
<i>Fig.</i>	<i>SR-no.</i>	<i>Omschrijving</i>	<i>Description</i>
1	381.0111	Draadstop M20×1,5	Screw plug M20×1,5
2	302.0013	Cilinderbout M10×65	Cylinder head bolt M10×65
3	316.0906	Veerring 10 mm	Spring washer 10 mm
4	450.0766	Tandwielkast (2-delig)	Gearcase (2-parts)
5	312.0127	Spanhuls 13×50	Clamping sleeve 13×50
6	401.0176	Kogellager 6013	Ball bearing 6013
7	456.0043	Tandwiel met gat Ø45	Gear wheel with hole Ø45
8	401.0177	Kogellager 6013-2RS	Ball bearing 6013-2RS
9	316.0917	Bolle veerring 12,5 mm	Spring washer 12,5 mm
10	301.0807	Bout M12×25	Bolt M12×25
11	302.0613	Cilinderkopbout M10×70	Cylinder head bolt M10×70
12	316.0705	Sluitring A 10,5	Washer A 10,5
13	401.0118	Kogellager 6009	Ball bearing 6009
14	450.0769	Tandwiel	Gear wheel
15	315.0103	Inlegspie 8×7×30	Key 8×7×30
16	450.0768	Tandronsel	Pinion
17	401.0175	Kogellager 6207-2RS	Ball bearing 6207-2RS
18	451.0031	Kogellager 6304	Ball bearing 6304
19	450.0767	Tandas	Pinion



8. PICK-UP SUSPENSIO WITH DRIVE (5-ROWS)

PICK-UP OPHANGING MET AANDRIJVING (5-BALKS)

<i>Fig.</i>	<i>SR-no.</i>	<i>Omschrijving</i>	<i>Description</i>
1	433.0108	5-balks Pick-up compleet (zie blz.23)	Pick-up, 5-rows, complete (See page 23)
2	935.0425	Buitenschijf	Outer disc
3	968.0731	Loopwielplaat	Runner wheel plate
3a	402.0203	Glijlager N3536	Slide bearing N3536
3b	403.0129	Axiaalschijf AS 3552	Axial disc AS 3552
3c	313.0215	Binnenborgring	Locking ring, inside
4	961.0527	Rolplaat rechts Rap.100	Roller plate Right Rap.100
	961.0529	Pick-up hefplaat rechts Rap.130	Pick-up lifting plate right Rap.130
5	355.0792	Hydraulische cilinder (incl. 5a en b)	Hydr. cylinder (incl. a and b)
5a	402.0128	Glijlager 20/20	Slide bearing 20/20
5b	454.0810	Set afdichtingen t.b.v 5	Set of seals for 5
6	934.0073	Binnenschijf	Inner disc
7	402.0208	U-glijlager 192	U-slide bearing 192
8	953.0731	Pick-up plaat 60-re.	Pick-up-Plate 60-right
9	303.0948	Pl. verzonken bout M10x30	Countersunk Bolt M10x30
10		Invoerrol (zie blz. 27)	Feed roller Rap.100 (See page 27)
11	900.0132	Flenslager RME 60/192	Flange bearing RME 60/192
12	402.0208	U-glijlager 192	U-slide bearing 192
13	953.0742	Pick-up plaat 60-li.	Pick-up-Plate 60-left
14	912.0671	Spanstrip TB-10	Tensioning strip TB-10
14a	302.0935	Spanbout M10x140	Tension bolt M10x140
15	353.0202	Spanblok-50	Tension block-50
17	316.0719	Sluitplaat 10,5 mm	Washer 10,5 mm
18	301.0726	Bout M10x60	Bolt M10x60
19	961.0526	Rolplaat links Rap.100	Roller plate left Rap.100
19a	961.0528	Pick-up hefplaat links Rap.130	Pick-up lifting plate left Rap.130
20	356.0128	Ketting ¾" - 77	Chain ¾" - 77
21	356.0129	Verbindingsschakel ¾"	Joining link ¾"
22	936.0809	Eindflens 60/8	End flange 60/8
24	953.0673	Kettingwiel ¾"-26 met breekbout	Chain wheel ¾" - 26 with shearing bolt
24a	900.0211	Breekbout M12x62	Shearing bolt M12x62
25	313.0121	Borgring A-60	Locking ring A-60
28	926.0164	Ring - 27	Ring - 27
29	353.0350	Kettingwiel ¾"-19/35x31	Chain wheel ¾" -19/35x31
30	313.0105	Borgring A-35	Safety ring A-35
31	306.0359	Plaatmoer M8 zelfborgend	Self-locking plate nut M8
32	301.0801	Bout M8x16	Bolt M8x16
32a	316.0722	Sluitplaat 8,4 mm	Washer 8,4 mm
33	375.0501	Beschermkap	Protective cover
34	301.0715	Bout M12x45	Bolt M12x45
35	316.0702	Sluitring A13	Washer A13
36	921.0024	Aanslagnok	Stop boss
37	306.0302	Borgmoer M12	Locking nut M12
38	301.0809	Bout M10x20	Bolt M10x20
39	316.0906	Veerring 10 mm	Spring washer 10 mm
40	316.0715	Sluitring R 11	Washer R 11
41	934.0474	Afdekkapje buiten	Guard, outer
42	432.0790	Wiel 4.00x4-6 Pr.	Wheel 4.00x4-6 Pr.
43	301.0811	Bout M10x30	Bolt M10x30
44	316.0742	Sluitring 50/11-8	Washer 50/11-8
45	402.0141	Glijlager 35/20	Slide bearing 35/20
46	967.0432	Loopwielenarm	Runner wheel arm
47	920.0839	Loopwielenas	Runner wheel shaft
48	968.0343	Achterplaat	Back plate
49	303.0912	Pl. verzonken bout M8x20	Countersunk bolt M8x20



9. 5-ROWS PICK-UP

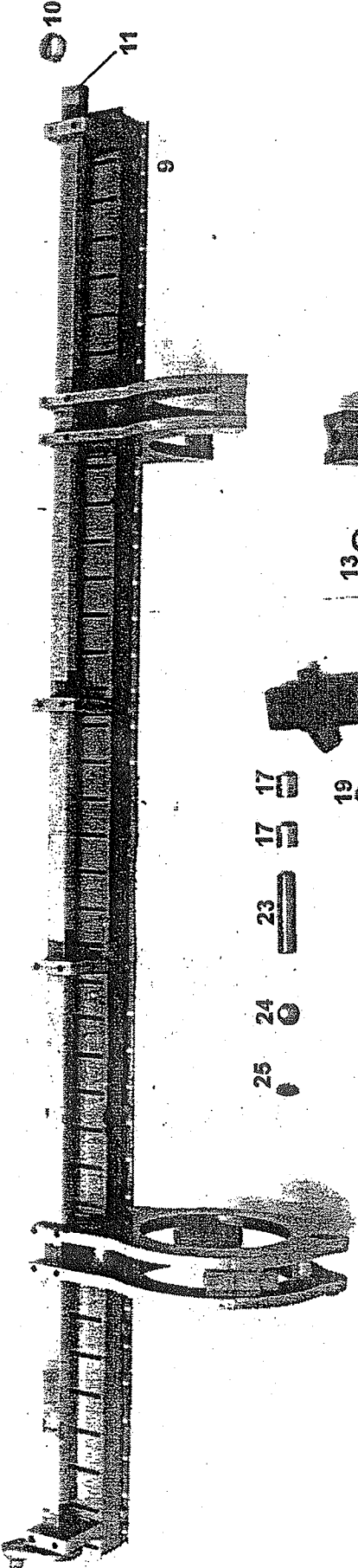
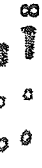
5-BALKS PICK-UP

Article no. complete pick-up: 433.0108

<i>Fig.</i>	<i>SR-no.</i>	<i>Omschrijving</i>	<i>Description</i>
1	-	Frame	Frame
2	458.0045	Eindkap links	End cover left
3	458.0046	Eindkap rechts	End cover right
4	458.0047	Aandrijfas	Drive shaft
5	458.0048	Veeras	Spring shaft
6	458.0049	Curve-plaat	Curve plate
7	450.0938	Nylonbus	Nylon sleeve
8	401.0216	Looprol LR-5201	Roller bearing LR-5201
9	458.0050	Geleidebeugel	Guide bracket
10	458.0054	Lagerhuis blind	Bearing housing
11	458.0055	Lagerhuis met gat	Bearing housing (with hole)
12	401.0175	Kogellager 6207-2RS	Ball bearing 6207-2RS
13	313.0105	Buitenborgring A35	Locking ring A35, outside
14	934.0236	Ring Ø10/40×3	Ring Ø10/40×3
15	301.0801	Bout M8×16	Bolt M8×16
16	306.0312	Borgmoer M8	Locking nut M8
17	301.0820	Bout M6×16	Bolt M6×16
18	306.0707	Moer M6	Nut M6
19	301.0809	Bout M10×20	Bolt 10×20
20	306.0701	Moer M10	Nut M10
21	306.0704	Moer M12	Nut M12
22	342.0103	Smeernippel M10×1-180	Grease nipple M10×1-180
23	458.0053	Pick-up tand	Pick-up tine
24	458.0051	Tandveerbuis	Tine spring tube
25	301.0747	Bout M8×50	Bolt M8×50
26	316.0713	Sluistring R9	Washer R9
27	458.0052	Klemstukje	Clamping piece
28	303.0930	Verz. Bout M12×40	Countersunk bolt M12×40
29	458.0068	Moer M12	Nut M12



5 6 7



17 17

24

23

17

17

19



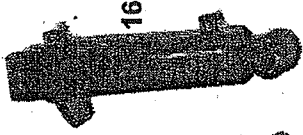
19



17



21



16

13



14



13

13



14

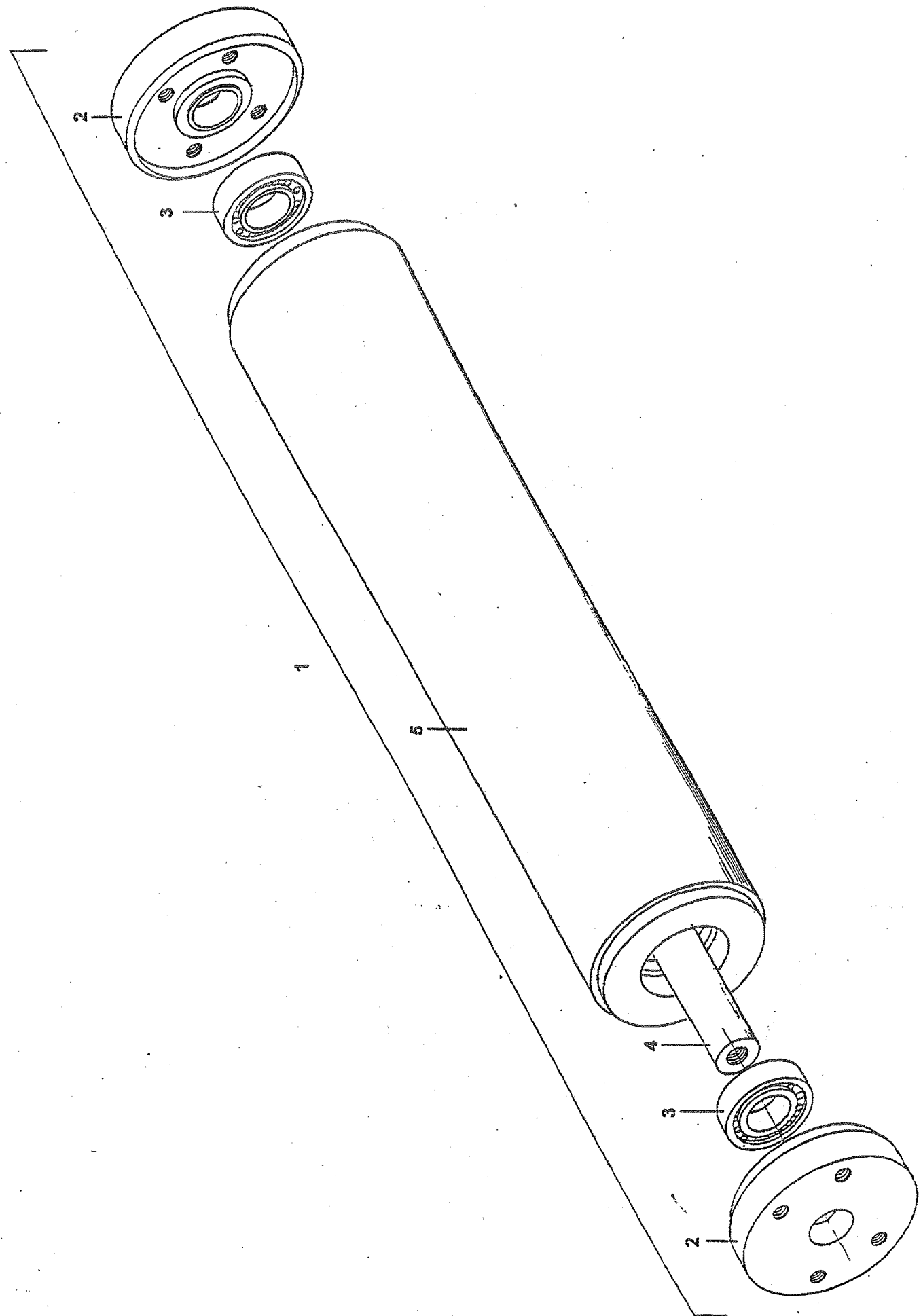
15



10. CHOPPING DEVICE

SNIJ-INRICHTING

<i>Fig.</i>	<i>SR-no.</i>	<i>Omschrijving</i>	<i>Description</i>
1	433.0102	Mes	Knife
2	912.0605	Klemstrip voor messenbalk	Clamping strip for cutter bar
3	374.0175	Rubberen afdichtstrook	Rubber sealing
4	912.0604	Steunstrip	Support strip
5	316.0705	Sluistring A10,5	Washer A10,5
6	316.0906	Veerring 10 mm	Spring washer 10 mm
7	301.0809	Bout M10×20	Bolt M10×20
8	301.0805	Bout M10×25	Bolt M10×25
9	960.0248	Messenbalk (incl. 10 t/m 14)	Cutter bar (incl. 10 to 14)
10	402.0130	Glijlager 30/15	Slide bearing 30/15
11	967.0040	Messenborg-as	Knife-locking shaft
12	281.0010	Kunststof glijstrook 8×4	Plastic sliding strip 8×4
13	316.0919	Tandveerring J16,5	Toothed spring ring J16,5
14	302.0622	Cilinder kopbout M16×60	Cylinder head bolt M16×60
15	301.0801	Bout M8×16	Bolt M8×16
16	355.0791	Hydr. cilinder D25-50/138 (incl. 17)	Hydr. cylinder D20-40/138 (incl. 17)
	454.0813	Set afdichtingen t.b.v. 16	Set of seals for 16
17	402.0129	Glijlager 20/25	Slide bearing 20/25
18	920.0751	Scharnierpen	Pivoting pin
20	355.0142	Rechte fitting 1/2"	Straight fitting 1/2"
20a	355.0280	Sluitschroef 1/2"	Closing screw 1/2"
21	953.0716	Hydr. membraanaccu 80bar (incl. 20)	Hydr. accumulator 80bar (incl. 20)
	953.0717	Hydr. membraanaccu 120bar (incl. 20)	Hydr. Accumulator 120bar (incl. 20)
23	900.0379	Bout M20×155	Bolt M20×155
23a	926.0197	Busje L15	Bush L15
23b	306.0314	Borgmoer M20	Locking nut M20
24	306.0704	Moer M12	Nut M12
25	301.0804	Bout M12×35	Bolt M12×35
26	401.0201	Looprol LR 202 NPP	Roller bearing LR 202 NPP

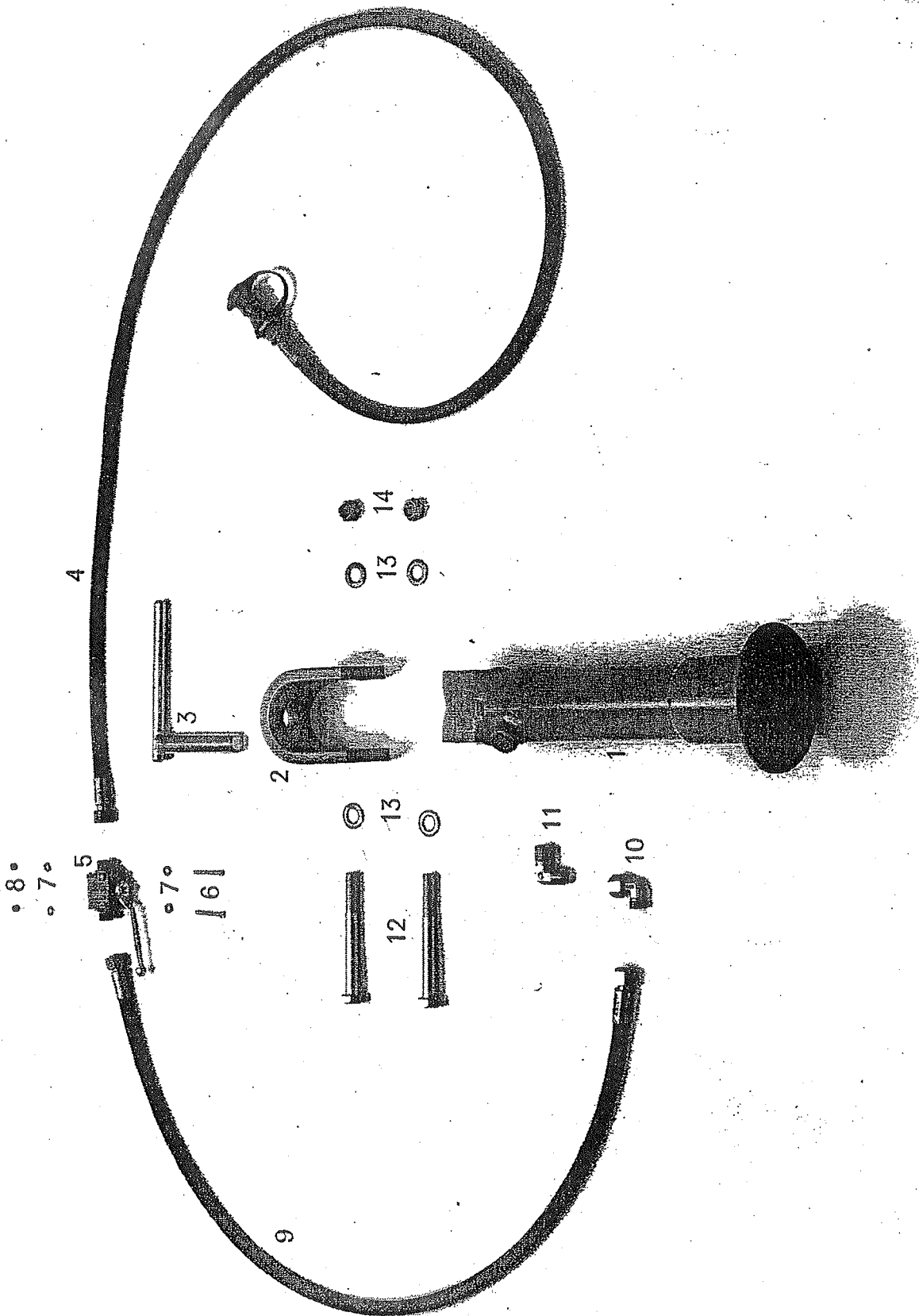


11. FEED ROLLER.

INVOERROL

Drawing no. 975.0010

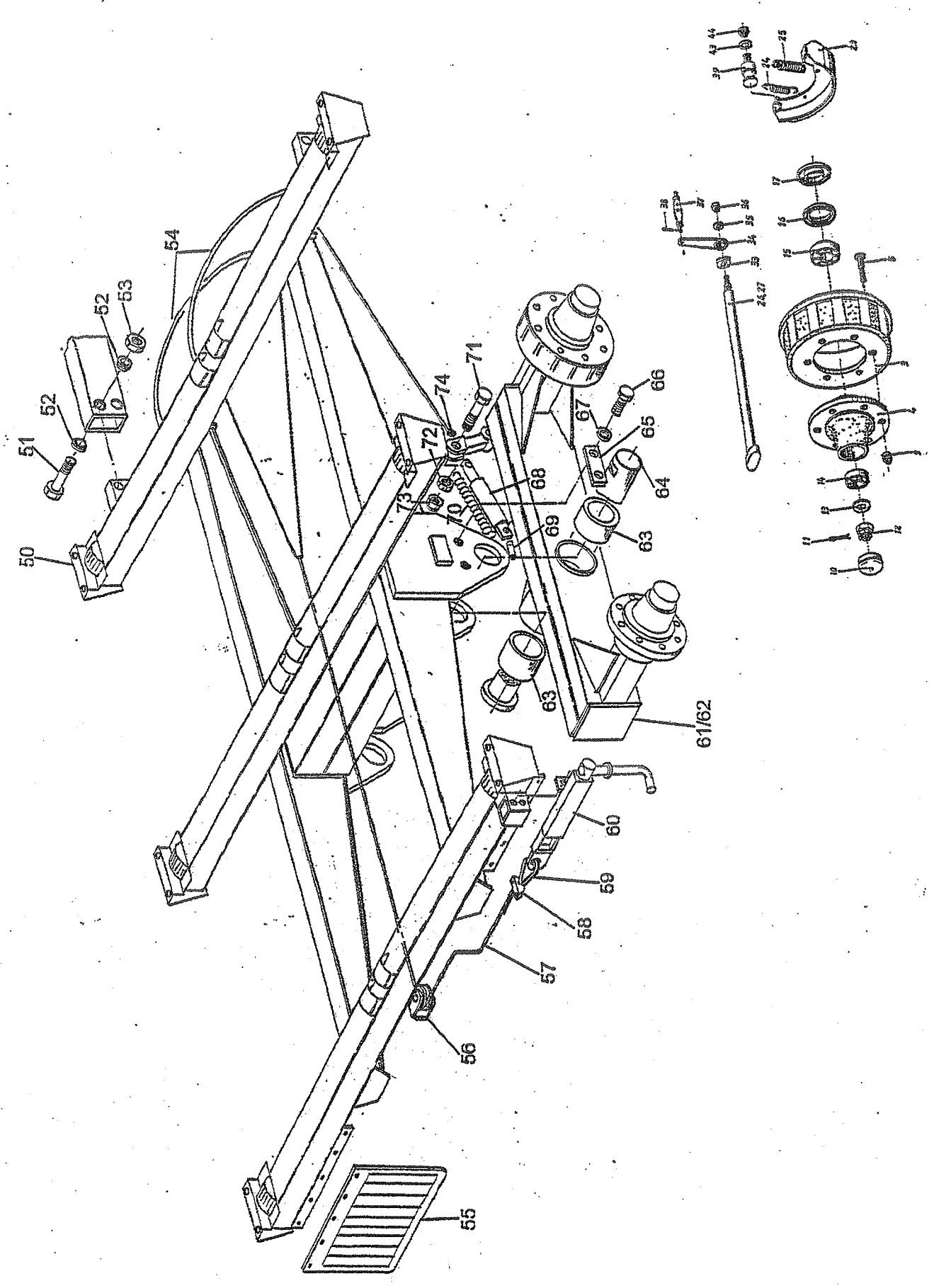
<i>Fig.</i>	<i>SR-no.</i>	<i>Omschrijving</i>	<i>Description</i>
1	953.0503	Invoerrol compleet Rap.100	Feed roller complete Rap. 100
	953.0574	Invoerrol compleet Rap.130	Feed roller complete Rap. 130
2	920.0799	Eindflens	End flange
3	401.0175	Kogellager 6207-2RS	Ball bearing 6207-2RS
4	920.0801	Rol as Rap.100	Roller shaft Rap. 100
	921.0055	Rol as Rap. 130	Roller shaft Rap. 130
5	967.0338	Invoerrol Rap. 100	Feed roller Rap. 100
	968.0734	Invoerrol Rap. 130	Feed roller Rap. 130



12. HYDRAULIC PARKING SUPPORT

HYDRAULISCHE STEUNPOOT

<i>Fig.</i>	<i>SR-no.</i>	<i>Omschrijving</i>	<i>Description</i>
1	967.0781	Steunpootcilinder	Parking support cylinder
1a	454.0059	Set afdichtingen t.b.v. 1	Set of seals for 1
2	911.0784	Scharnierstuk	Hinge piece
3	967.0780	Grendelpen	Locking pin
4	417.0406	Hydr. slang	Hydr. Hose
5	355.0667	Tweeweg kogelkraan NW10	Two-way ball valve NW10
6	303.0952	Cilinder kopschroef M5×45	Cylinder head screw M5×45
7	316.0730	Sluitring A5,3	Washer A5,3
8	306.0335	Borgmoer M5	Locking nut M5
9	417.0404	Hydr. slang	Hydr. Hose
10	355.0197	Instelbare haakse koppeling 12	Adjustable angle coupling 12
11	355.0124	Haakse koppeling	Angle coupling
12	301.0783	Bout M16×140	Bolt M16×140
13	316.0707	Sluitring A17	Washer A17
14	306.0303	Borgmoer M16	Locking nut M16

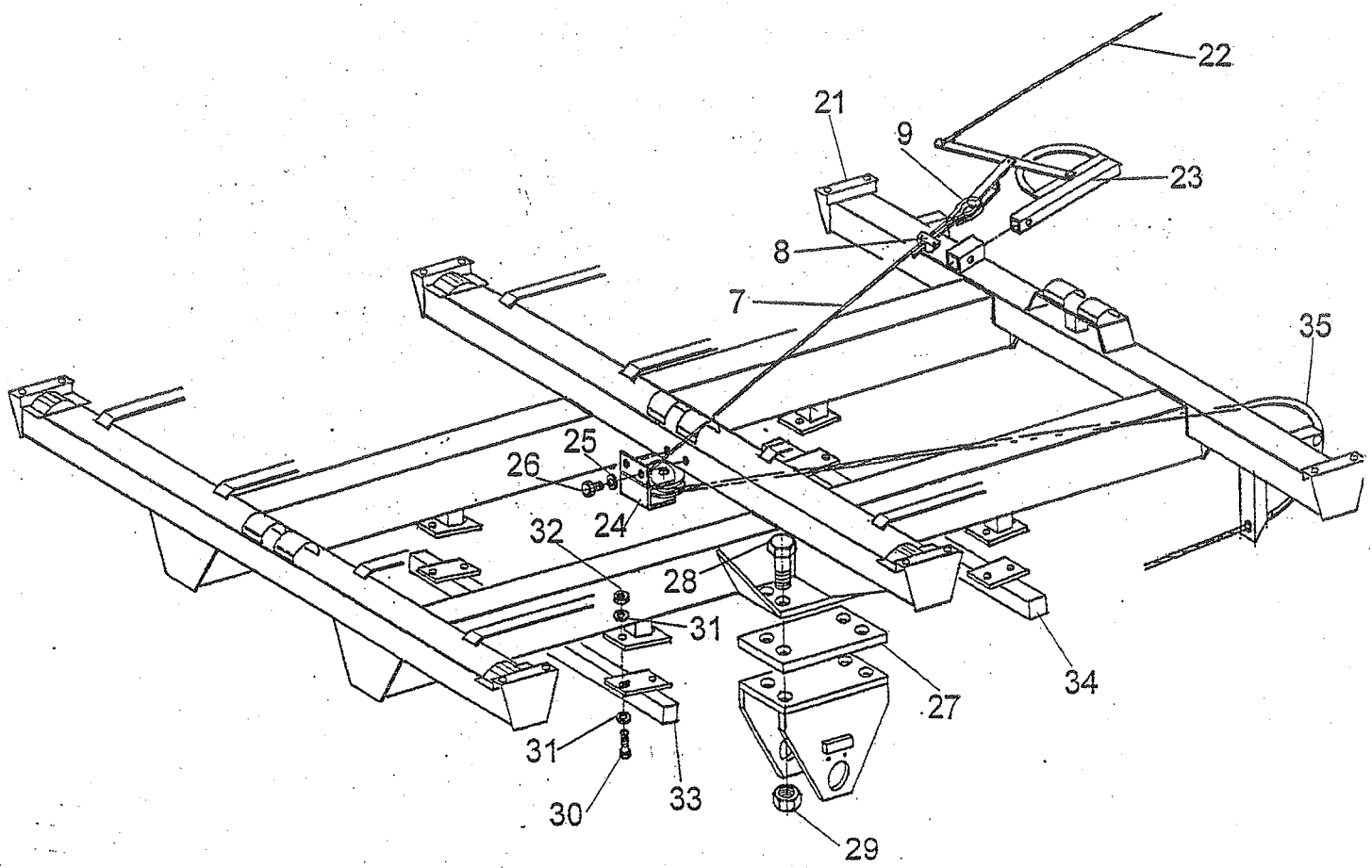
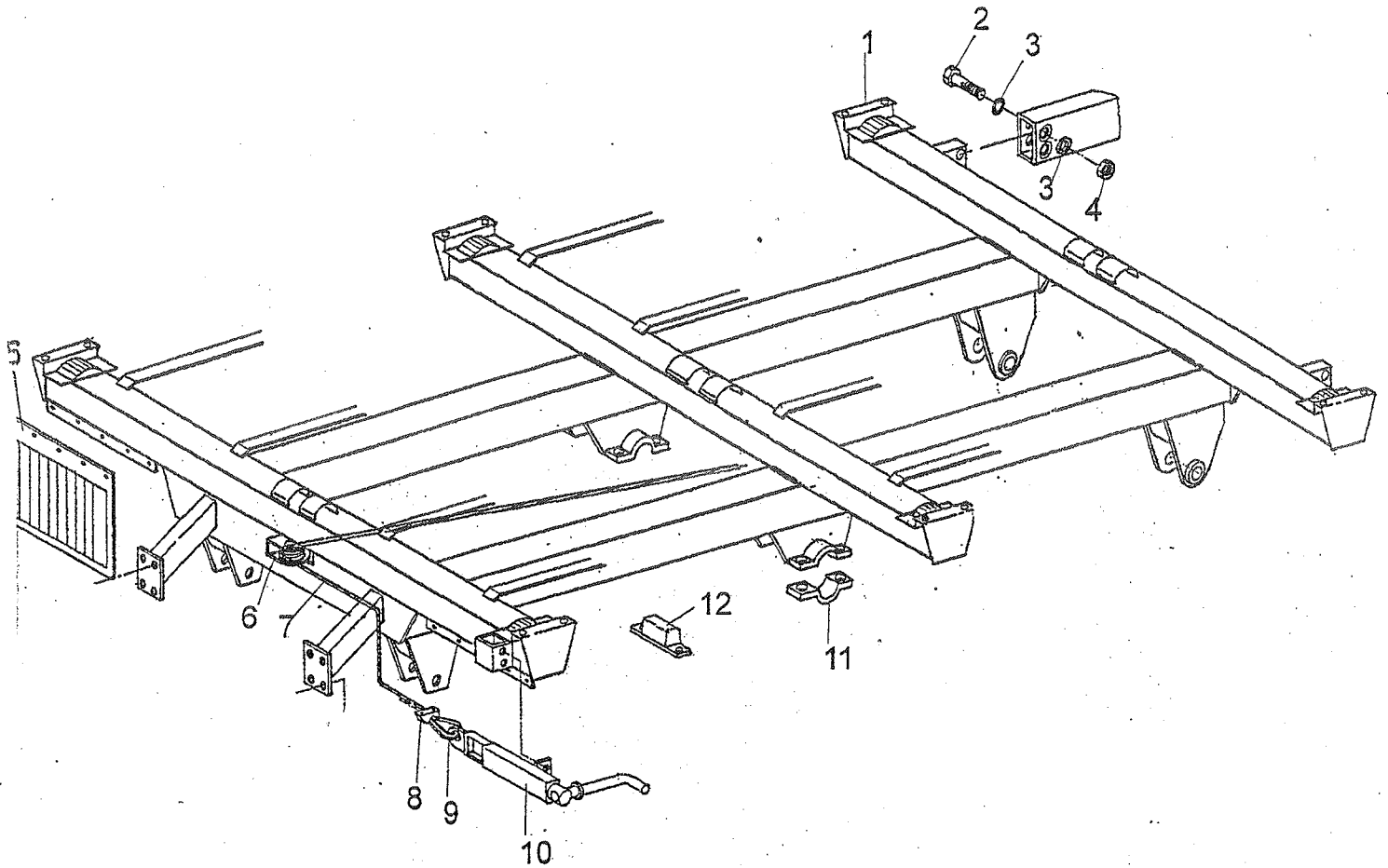


13. TANDEMFRAME TAP-BPW RAPIDE 100

TANDEMFRAME TAP-BPW RAPIDE 100

Drawing no.975.0026

<i>Fig.</i>	<i>SR-no.</i>	<i>Omschrijving</i>	<i>Description</i>
3	452.0042	Remtrommel 318-20	Brake drum 318-20
4	452.0041	Wielnaaf 7008-20	Wheel hub 7008-20
5	450.0835	Wielbout M20×54	Wheel bolt M20×54
	450.0629	Wielbout M20×70	Wheel bolt M20×70
9	450.0417	Wielmoer M20	Wheel nut M20
9a	450.0631	Conische Veerring 20mm	Conical spring ring 20mm
10	450.0634	Naafdop 90mm	Hub cap 90mm
11	375.0124	Splitpen 6mm	Split pin 6mm
12	306.0317	Kroonmoer M36×1,5	Castle nut M36×1,5
13	316.0739	Schijf 37mm	Disc 37mm
14	450.0319	Kegellager 30210	Cone bearing 30210
15	401.0147	Kegellager 32014	Cone bearing 32014
16	452.0011	Vetkeerring 32014	Oil catcher 32014
17	452.0010	Steunring 32014	Supporting ring 32014
24	450.0274	Trekveer	Draw spring
25	450.0531	Trekveer	Draw spring
26	452.0xxx	Remas	Brake shaft
34	967.0805	Remhefboom	Brake lever
39	452.0021	Rembout 318	Brake bolt 318
43	316.0918	Veerring 24mm	Spring washer 24mm
44	306.0717	Moer M24×1,5	Nut M24×1,5
50	961.0935	Tandemframe TAP	Tandem frame TAP
51	301.0771	Bout M20×90	Bolt M20×90
52	316.0311	Conische veerring 20mm	Conical spring ring 20mm
53	306.0706	Moer M20	Nut M20
55	374.0167	Spatlap 500×400	Mud quard 500×400
61	435.0932	Pendelarm 1050-Li.	Oscillating lever 1050-Left
62	435.0933	Pendelarm 1050-Re.	Oscillating lever 1050-Right
63	450.0950	Glijlagerbus	Slide-bearing bush
64	435.0907	Pendelas	Oscillating axle
65	435.0908	Borgplaat	Locking plate
66	301.0825	Bout M16×30	Bolt M16×30
67	316.0901	Veerring 16mm	Spring washer 16mm
68	355.0774	Remcilinder	Brake cylinder
68a	454.0802	Set afdichtingen	Set of seals
69	312.0113	Spanstift 6mm	Clamping pin
70	331.0106	Trekveer	Draw spring
71	301.0759	Bout M16×80	Bolt M16×80
72	306.0702	Moer M16	Nut M16
73	306.0303	Borgmoer M16	Locking nut M16

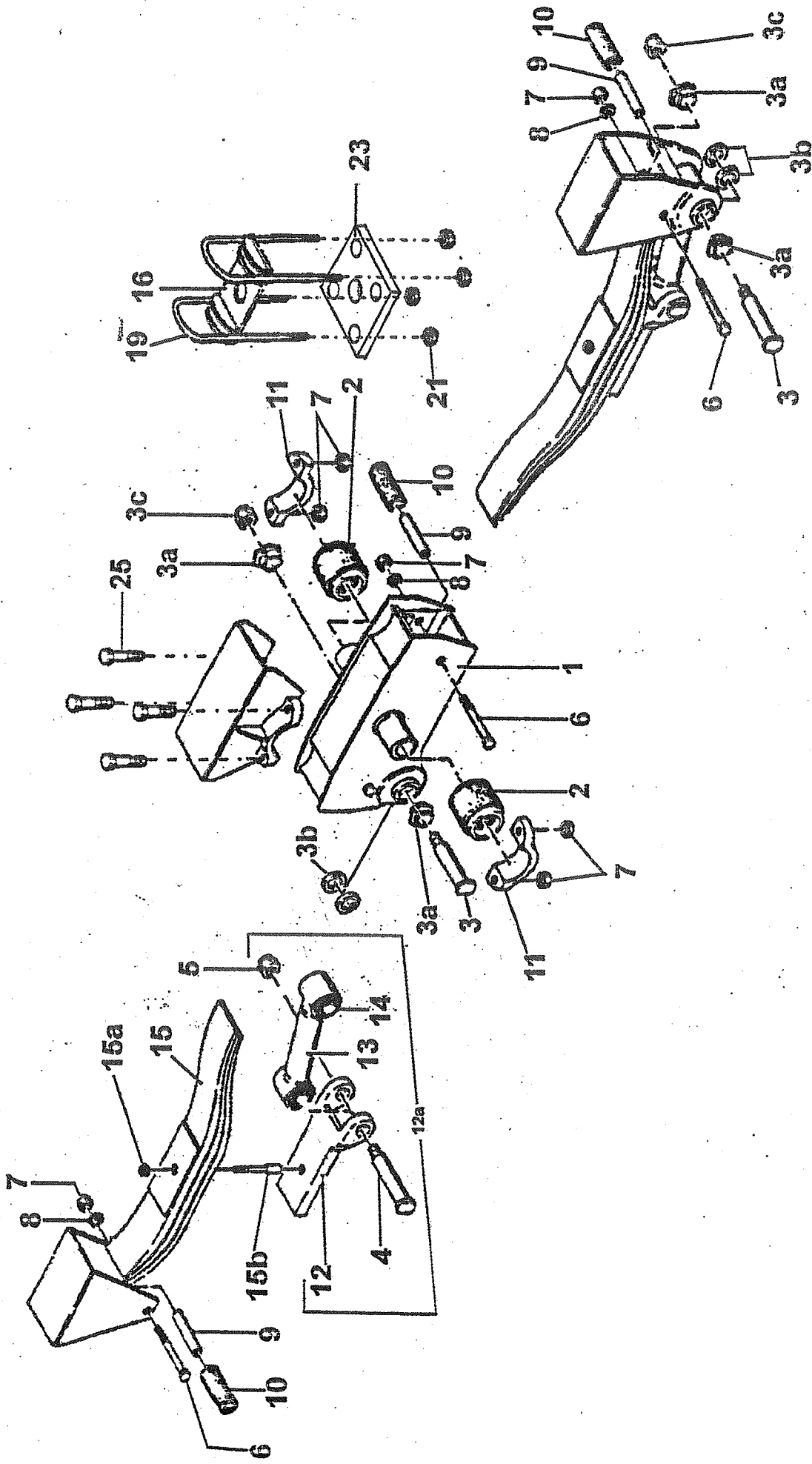


14. TANDEM FRAME RAPIDE 130

TANDEMFRAME RAPIDE 130

Drawing no.975.0027

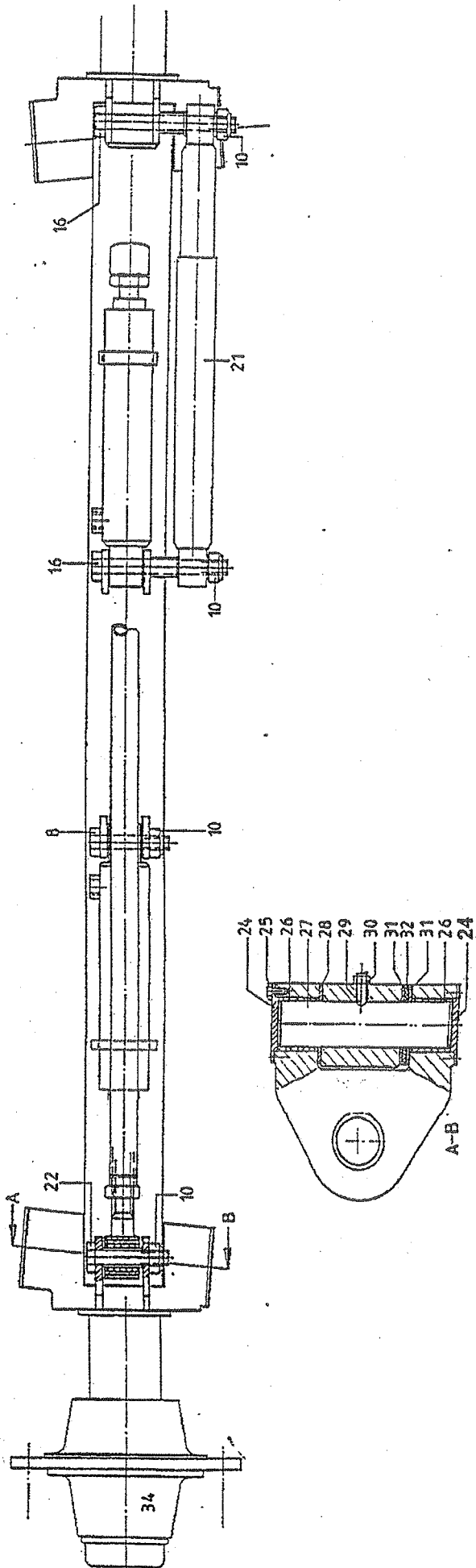
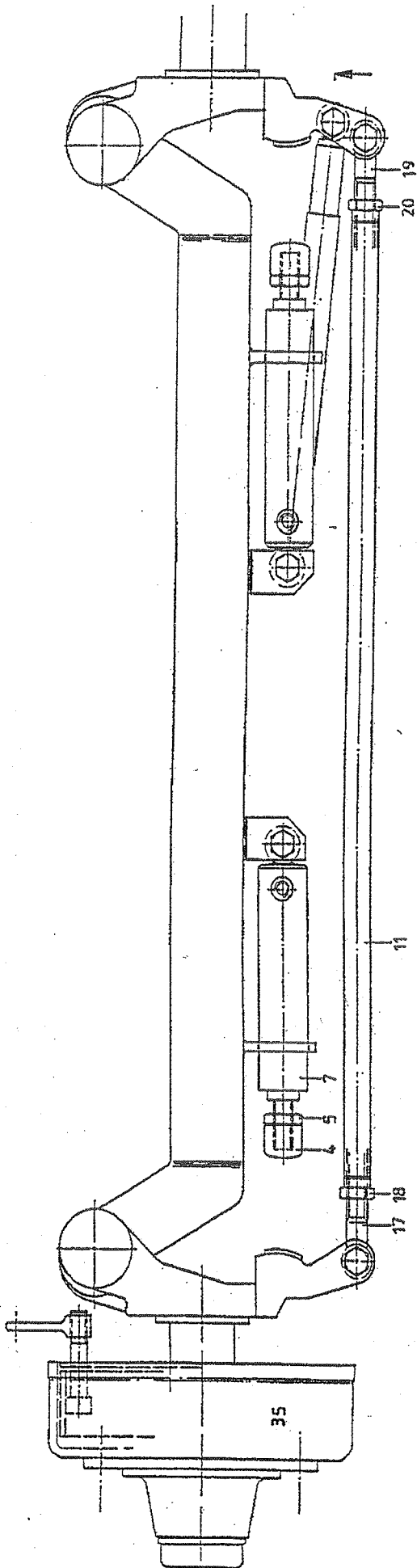
<i>Fig.</i>	<i>SR-no.</i>	<i>Omschrijving</i>	<i>Description</i>
1	961.0131	Tandemframe	Tandem frame
2	301.0771	Bout M20×90	Bolt M20×90
3	316.0311	Conische veerring 20mm	Conical spring ring 20mm
4	306.0706	Moer M20	Nut M20
5	374.0167	Spatlap 500×400	Mud quard 500×400
11	462.0555	Lagerschaal	Bearing cup
12	376.0158	Rubber aanslagblok	Bumpstop
21	961.0110	Tandemframe	Tandemframe
28	301.0790	Bout M24x2-75	Bolt M24x2-75
29	306.0333	Borgmoer M24x2	Locking nut M24x2
30	301.0804	Bout M12x35	Bolt M12x35
31	316.0702	Sluitring A13	Washer A13
32	306.0302	Borgmoer M12	Locking nut M12
33	961.0747	Pendelstop-achter	Bumpstop-rear
34	961.0747	Pendelstop-achter	Bumpstop-front



15. GIGANT SPRING ASSEMBLIES

GIGANT VEERSTELLEN

<i>Fig.</i>	<i>SR-no.</i>	<i>Omschrijving</i>	<i>Description</i>
1	462.0513	Pendelstuk	Oscillating piece
2	450.0925	Rubberbus	Rubber bushing
3	462.0538	Excenterbout (incl.3a, b en c)	Eccentric bolt (incl. 3a, band c)
4	450.0926	Veerbout M27×1,5 (incl. 5)	Suspension bolt (incl. 5)
5	450.0927	Moer M27×1,5	Nut M27×1,5
6	301.0716	Bout M16×130	Bolt M16×130
7	306.0303	Borgmoer M16	Locking nut M16
8	316.0707	Sluitring A17	Sealing ring A17
9	926.0273	Buisje L=96	Bush L=96
10	462.0556	Rubberrol L=80	Rubber roller L=80
11	462.0555	Lagerschaal middenstoel	Bearing cup middle block
12	-	Veertrekplaat	Spring drawing plate
12a	462.0531	Trekveearm 80/244 Rap.100	Draw spring arm 80/244 Rap.100
	462.0430	Trekveearm 80/353 Rap.130	Draw spring arm 80/353 Rap.130
13	-	Veertrekarm (incl. 14)	Spring draw arm (incl. 14)
14	450.0944	Rubberbus	Rubber bushing
15	462.0521	Veerpakket 80/1200 Rap.100	Spring assembly 80/1200 Rap.100
	462.0520	Veerpakket 80/1400 Rap.130	Spring assembly 80/1400 Rap.130
16	968.0372	Veerplaat 80/100 Rap.100 en 130	Spring plate 80/100 Rap.100 and 130
19	462.0542	Veerstrop M20×320 Rap.100 en 130	Spring U-bolt M20×320 Rap.100 and 130
21	462.0551	Borgmoer M20×2,5 Rap.100 en 130	Locking nut M20×2,5 Rap.100 and 130
23	912.0172	Veer-asplaat 80/100 Rap.100 en 130	Spring axle plate 80/100 Rap.100 and 130
25	301.0745	Bout M16×70	Bolt M16×70

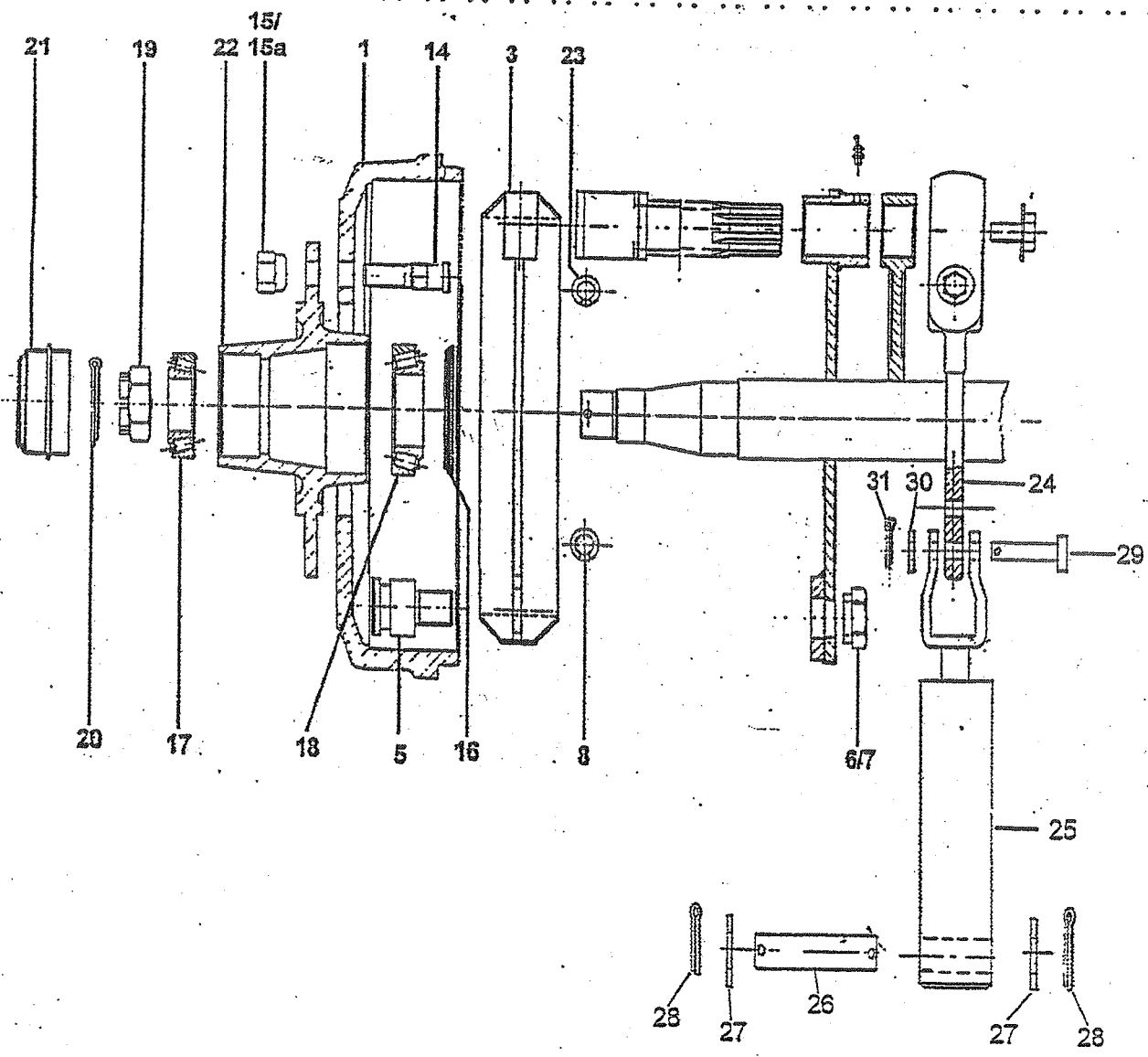
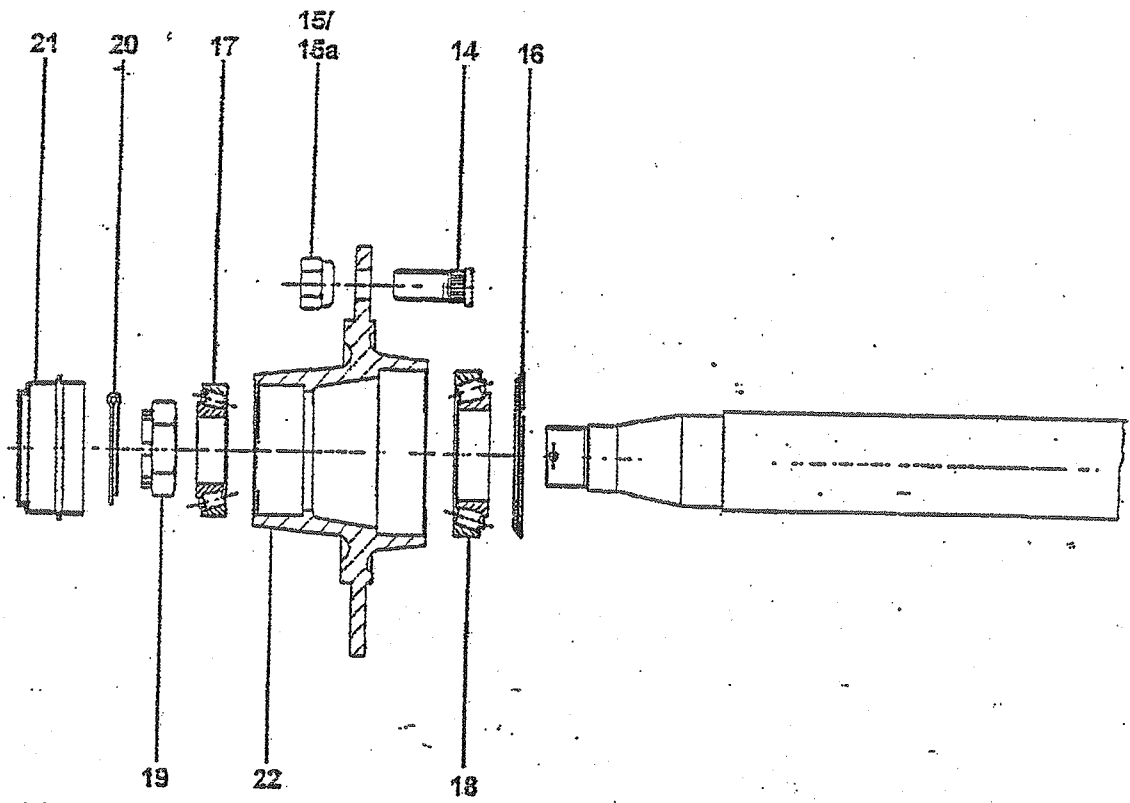


16. TRACK FOLLOWING WHEEL AXLE RAPIDE 130.

MEELOPEND GESTUURDE WIELAS RAPIDE 130

Drawing no. 975.0014

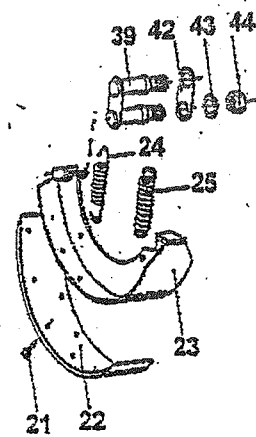
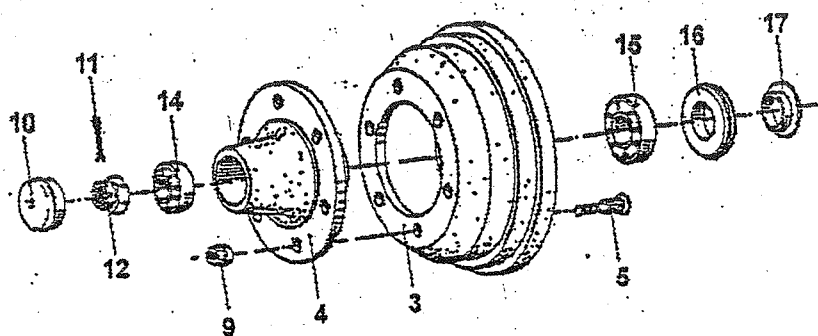
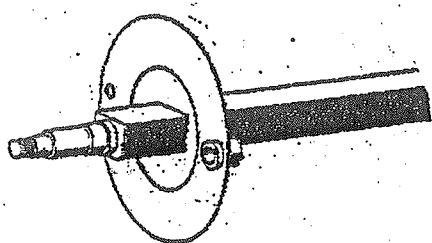
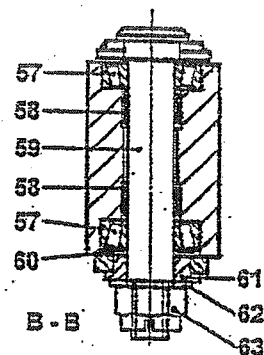
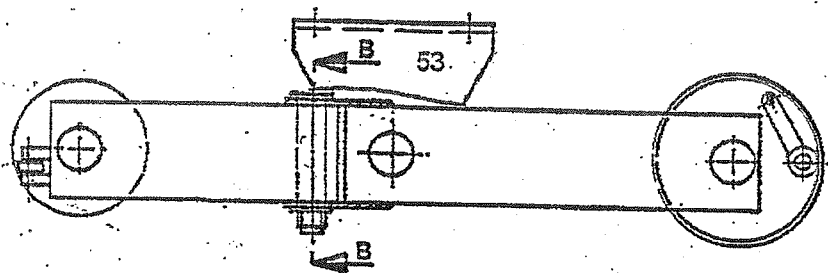
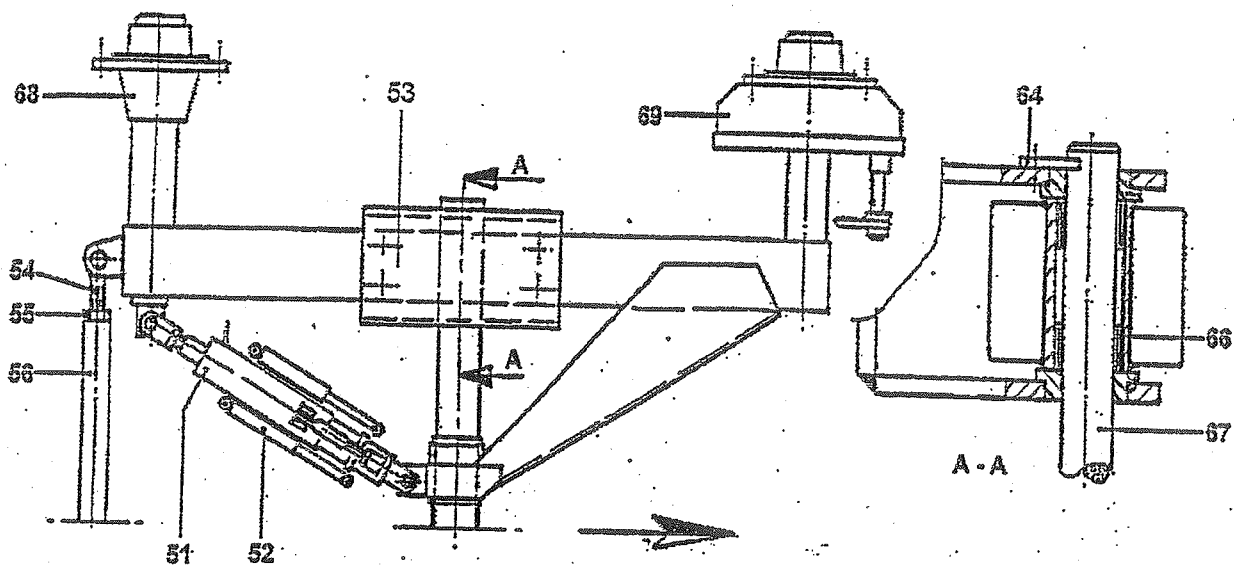
<i>Fig.</i>	<i>SR-no.</i>	<i>Omschrijving</i>	<i>Description</i>
1	435.0800	Volg-as 10898 Rap.130	Track-following axle 10898 Rap.130
4	452.0405	Dopmoer M27×3	Capped nut M27×3
5	306.0368	Moer M27×3	Nut M27×3
7	452.0404	Arreteercilinder	Stop-motion cylinder
8	301.0781	Bout M20×130	Bolt M20×130
10	306.0314	Borgmoer M20	Locking nut M20
16	301.0795	Bout M20×190	Bolt M20×190
17	452.0396	Draadeind M30×3,5L (incl. 17a)	Threaded end M30×3,5L (incl. 17a)
17a	452.0398	Elastische lagerbus 20 / 38	Elastic bearing bush 20 / 38
18	306.0361	Moer M30×3,5L	Nut M30×3,5
19	452.0397	Draadeind M30×3,5R (incl. 17a)	Treaded end M30×3,5R (incl. 17a)
20	306.0362	Moer M30×3,5R	Nut M30×3,5R
21	452.0406	Schokdemper	Shock absorber
22	301.0771	Bout M20×90	Bolt M20×90
24	452.0395	Sluitdeksel	Cover
25	301.0806	Bout M8×20	Bolt M8×20
26	452.0391	Lagerbus	Bearing bush
27	452.0390	Fusee-as	Swivel pin shaft
28	452.0393	Axiaalschijf	Axial disc
29	304.0115	Stelschroef M16×30	Setting screw M16×30
30	306.0702	Moer M16	Nut M16
31	452.0394	Vulschijf	Filler disc
32	452.0393	Axiaalschijf	Axial disc
33	301.0835	Bout M8×30	Bolt M8×30
	-	Asstomp (zie blz. 39)	Shaft end (See page 39)



17. WHEEL AXLES ADR RAPIDE 130 (TYPE 898 BRAKE 400x80)

WIELASSEN ADR RAPIDE 130 (TYPE 898 REM 400x80)

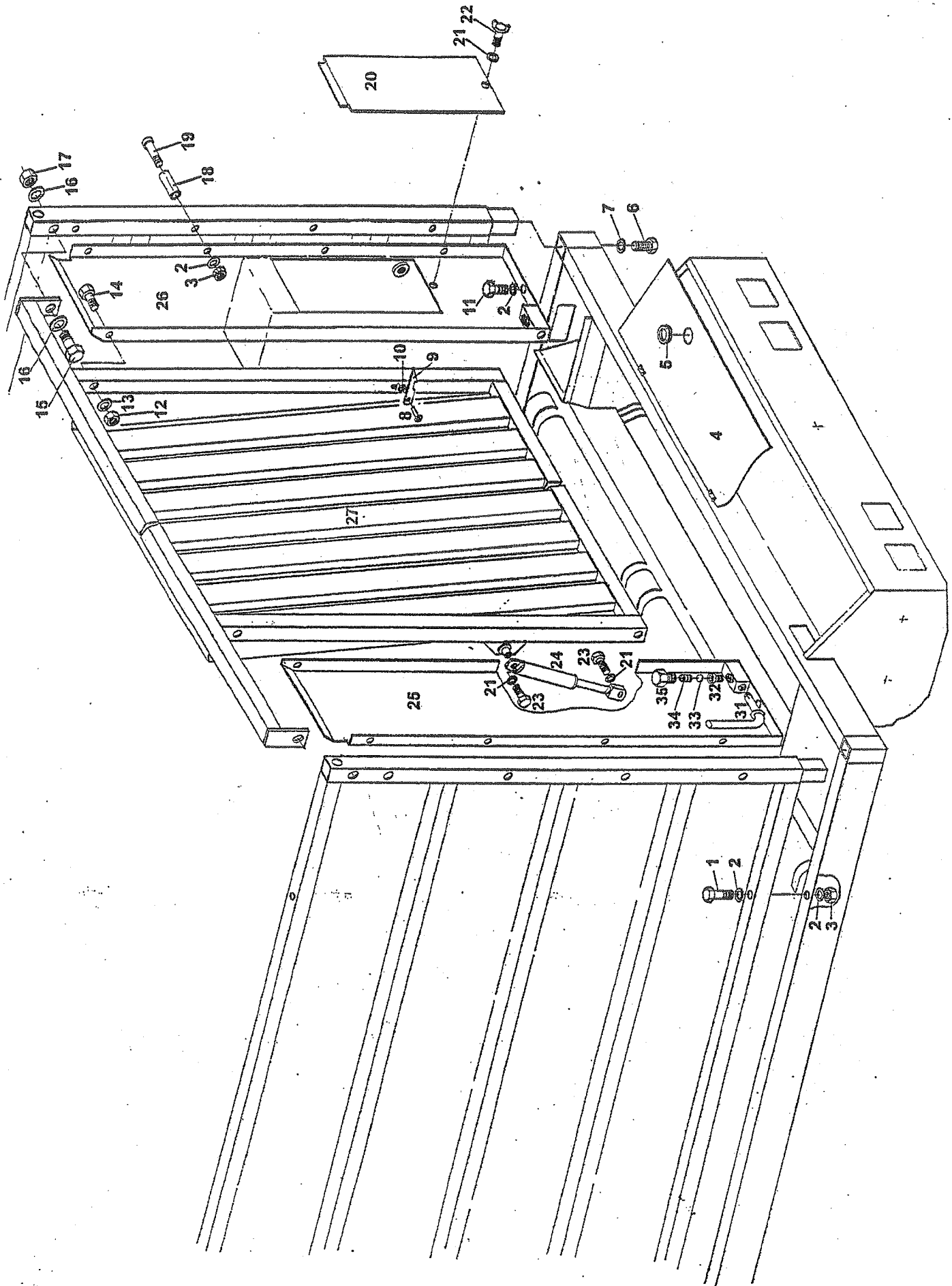
<i>Fig.</i>	<i>SR-no.</i>	<i>Omschrijving</i>	<i>Description</i>
1	452.0326	Remtrommel 400x80	Brake drum 400x80
3	452.0338	Remschoen 400x80	Brake shoe 400x80
6	316.0918	Veerring 24 mm	Spring ring 24 mm
7	306.0717	Moer M24x1,5	Nut M24x1,5
8	452.0343	Trekveer 400x80	Draw spring 400x80
14	450.0629	Wielbout M20x1,5 L=70	Wheel bolt M20x1,5 L=70
15	450.0630	Wielmoer M20x1,5	Wheel nut M20x1,5
15a	450.0631	Bolle veerring 20 mm	Spring ring 20 mm
16	452.0366	Dichtring	Sealing ring
17	401.0268	Kegellager buiten 32214	Cone bearing outside 32214
18	401.0250	Kegellager binnen 32217	Cone bearing inside 32217
19	452.0359	Kroonmoer M48x1,5/80	Castle nut M48x1,5/80
20	375.0142	Splitpen 4x80	Split 4x80
21	452.0356	Naafdop Ø125 - schroefbevestiging	Hub cap Ø125 – screw fastening
22	452.0317	Wielnaaf	Radnabe
23	452.0343	Trekveer	Draw spring
24	452.0385	Remhefboom 32	Brake lever 32
25	452.0402	Remcilinder 25mm	Brake cylinder
26	920.0673	Scharnierpen 20mm	Pivoting pin 20mm
27	316.0725	Sluitring A21	Washer A21
28	375.0118	Splitpen 5x30	Split pin 5x30
29	349.0076	Pen 14mm	Pin 14mm
30	316.0741	Sluitring A15	Washer A15
31	375.0122	Splitpen 3x25	Split 3x25



18. TANDEM BPW TAL (RAPIDE 130)

TANDEM BPW TAL (RAPIDE 130)

<i>Fig.</i>	<i>SR-nr.</i>	<i>Omschrijving</i>	<i>Benennung</i>
1	435.0921	Pendel tandem TAL 18/1300-8/2	Rocker suspension TAL 18/1300-8/2
3	450.0650	Remtrommel 408/8	Brake drum 408/8
4	450.0834	Wielnaaf 8008-1	Wheel hub 8008-1
5	450.0835	Wielbout M20×1,5-54 Ongeremd	Wheel bolt M20×1,5-52
	450.0620	Wielbout M20×1,5-60 Geremd	Wheel bolt M20×1,5-64
9	450.0630	Wielmoer M20×1,5	Wheel nut M20×1,5
9a	450.0631	Bolle veerring 20 mm	Conical springring 20 mm
10	450.0840	Naafdop ø120	Hub cap ø120
11	375.0139	Splitpen 8×90	Split pin 8×90
12	450.0839	Kroonmoer M52×2	Castle nut M52×2
14	401.0195	Kegellager buiten 32213	Cone bearing 32213
15	401.0196	Kegellager binnen 32215	Cone bearing 32215
16	452.0052	Vetkeerring 30215	Oil catcher 32215
17	452.0012	Steunring 30215	Supporting ring 30215
23	450.0530	Remschoen 408	Brake shoe with lining 408
24	450.0274	Trekveer licht	Draw spring light
25	450.0531	Trekveer zwaar	Draw spring heavy
39	452.0043	Rembout-dubbel	Brake bolt
42	452.0044	Klemplaat	Clamp
43	316.0918	Veerring 24 mm	Spring ring 24 mm
44	306.0320	Moer M24×1,5	Nut M24×1,5
51	452.0100	Arreteercilinder	Stop cylinder
52	452.0101	Schokdemper	Shock absorber
53	452.0110	Pendelbok	Oscillatingconsole
54a	401.0266	Stangkop GAKFR 20 PW	Rod end GAKFR 20 PW
54b	401.0265	Stangkop GAKFL 20 PW	Rod end GAKFL 20 PW
55a	306.0369	Lage moer M20×1,5 li.	Nut M20×1,5 li.
55b	306.0370	Lage moer M20×1,5 re.	Nut M20×1,5 re.
57	450.0298	Kegellager 32211	Cone bearing 32211
58	452.0103	Lagerbus	Slide bearing
59	452.0104	Scharnieras	Hinge bolt
60	452.0105	Nilosring	Nilos ring
61	452.0106	Steunring	Supporting ring
62	452.0107	Schijf	Disc
63	306.0317	Kroonmoer M36×1,5	Castle nut M36×1,5
64	435.0908	Borgplaat	Locking plate
66	450.0950	Glijlager	Slide bearing
67	452.0111	Pendelas	Swing axle
68	-	Asstomp Ongeremd	Schaft end unbraket
69	-	Asstomp Geremd	Schaft end braket

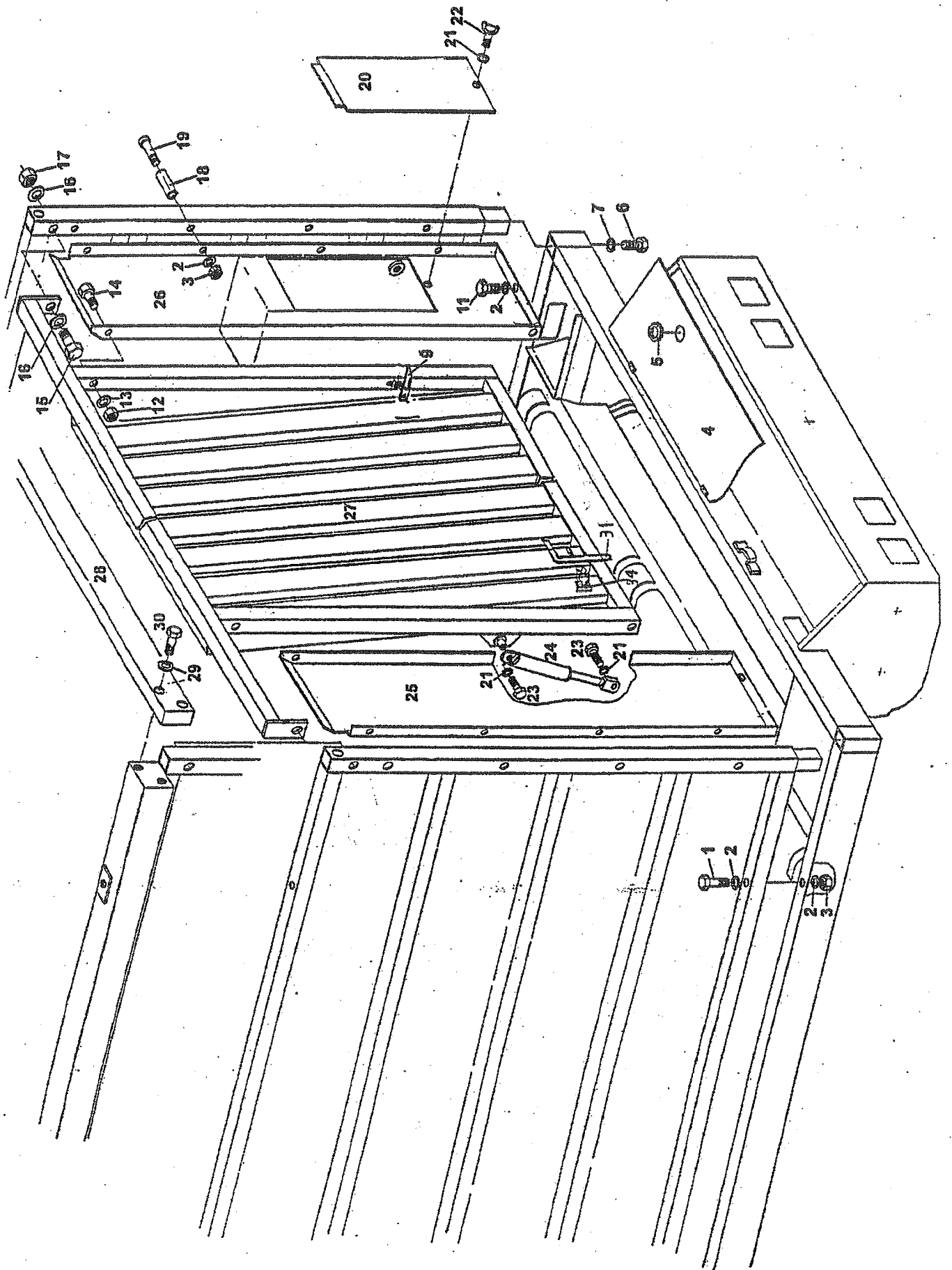


19. FRONT BOARD RAPIDE 100

VOORBORD RAPIDE 100

Drawing no. 975.0001

<i>Fig.</i>	<i>SR-no.</i>	<i>Omschrijving</i>	<i>Description</i>
1	301.0739	Bout M10×90	Bolt M10×90
2	316.0705	Sluitring A10,5	Washer A10,5
3	306.0306	Borgmoer M10	Locking nut M10
4	935.0434	Deksel 25	Protective cover 25
6	301.0836	Bout M16×45	Bolt M16×45
7	316.0901	Veerring 16 mm	Spring washer 16 mm
9	371.0294	Tuimelsluiting	Rocker fastening
11	301.0809	Bout M10×20	Bolt M10×20
12	306.0303	Borgmoer M16	Locking nut M16
13	316.0707	Sluitring A17	Washer A17
14	301.0759	Bout M16×80	Bolt M16×80
15	301.0771	Bout M20×90	Bolt M20×90
16	316.0725	Sluitring A21	Washer A21
17	306.0314	Borgmoer M20	Locking nut M20
18	925.0393	Busje L=37	Bush L=37
19	302.0603	Cilinderkopbout M10×60	Cylinder head bolt M10×60
20	937.0841	Sluitplaat GI	Locking plate GI
21	316.0703	Sluitring A8,4	Washer A8,4
22	349.0063	Vleugelknop M8×20	Wing nut M8×20
23	301.0750	Bout M8×35	Bolt M8×35
24	333.0001	Gasdrukveer	Gas pressure spring
25	967.0607	Voorwand-zijstuk rechts	Front board side piece right
26	969.1318	Voorwand-zijstuk GI links	Front board side piece GI left
27	967.0602	Voorbord 2216	Front board 2216
31	967.0142	Grendelpen	Locking pin
32	302.0620	Cilinderkopbout M10×30	Cylinder head bolt M10×30
33	349.0028	Kogel Ø10	Ball Ø10
34	331.0202	Borgveer	Locking spring
35	900.0115	Grendelbout M20×25	Locking bolt M20×25



20. FRONT BOARD RAPIDE 130

VOORBORD RAPIDE 130

Drawing no. 975.0001

<i>Fig.</i>	<i>SR-no.</i>	<i>Omschrijving</i>	<i>Description</i>
1	301.0739	Bout M10×90	Bolt M10×90
2	316.0705	Sluitring A10,5	Washer A10,5
3	306.0306	Borgmoer M10	Locking nut M10
4	935.0434	Deksel 25	Protective cover 25
6	301.0836	Bout M16×45 (achter)	Bolt M16×45 (rear)
	301.0787	Bout M16×200 (voor)	Bolt M16×200 (front)
7	316.0901	Veerring 16 mm	Spring washer 16 mm
9	371.0294	Tuimelsluiting	Rocker fastening
11	301.0809	Bout M10×20	Bolt M10×20
12	306.0303	Borgmoer M16	Locking nut M16
13	316.0707	Sluitring A17	Washer A17
14	301.0759	Bout M16×80	Bolt M16×80
15	301.0771	Bout M20×90	Bolt M20×90
16	316.0725	Sluitring A21	Washer A21
17	306.0314	Borgmoer M20	Locking nut M20
18	925.0393	Busje L37	Bush L37
19	302.0603	Cilinderkopbout M10×60	Cylinder head bolt M10×60
20	937.0841	Sluitplaat GI	Locking plate GI
21	316.0703	Sluitring A8,4	Washer A8,4
22	349.0063	Vleugelknop M8×20	Wing nut M8×20
23	301.0750	Bout M8×35	Bolt M8×35
24	333.0001	Gasdrukveer	Gas pressure spring
25	961.0107	Voorwand-zijstuk rechts	Front board- side piece right
26	969.1145	Voorwand-zijstuk GI links	Front board- side piece GI left
27	961.0273	Voorbord 2220	Front board 2220
28	969.1015	Bovenrand 22	Top edge 22
29	316.0702	Sluitring A13	Washer A13
30	301.0785	Bout M12×80	Bolt M12×80
31	961.0119	Grendelpen	Locking pin
34	331.0202	Borgveer	Locking spring

