

Year of construction 2003

Spare Parts Catalogue

Precision Chop Loaderwagon

RAPIDE 100S - 130S - 135S - 130V - 165V

Lely Australia / New Zealand



Schuitemaker



Schuitemaker Machines BV
P.O Box 219 7460 AE Rijssen - Holland
Tel: +31 (0)548 514125 Fax: +31 (0)548 516840
spares@schuitemaker-machines.nl
www.schuitemaker-machines.nl

Contents Lely 2003

Guidelines for ordering spare parts	3
1. <u>P.T.O.</u> Drive schaft with wide-angle yoke and cam-type clutch	5
1.1. Cam-type clutch	5
2. Rotor intake Type-S with drive	7
3. Rotor intake type-SWV with drive	9
4. Floor chain with drive Type 100; 130; 135	13
5. Floor chain with double drive Type 165	15
6. Towbars	17
7. Rotor Gearbox Type SWV 351.0074 Kordel	19
8. Rotor Gearbox Type S 351.0082 Röchling	21
9. Floor driving gearbox	23
10. Pick-up Suspensio with drive (5-Rows) Rapide 100 and 130	25
11. Pick-up Suspension with drive (6-Rows) Rapide 135 and 165	27
12. Pick-up (6-Rows) Spring suspension gear	29
13. 5-Rows Pick-up	31
14. 6-Rows Pick-up	33
15. Chopping device DBA	35
16. Feed roller.	37
17. Hydraulic parking support	39
18. Tandem frame BPW-TAP Rapide 100	41
19. Tandem frame Rapide 130; 135 and 165	43
20. Tandem BPW- TAL Rapide 130; 135	45
21. Tandem ADR-TAL Rapide 165	47
22. Stub axle ADR (Typ EUR 1110 Brake 408E) Rapide 165	49
23. Front board Rapide 100	51
24. Front board Rapide 130; 135 and 165	53
25. Tailgate	55
26. Distribution beaters Rapide 130-SWV and 165-SWV	57
27. Beater drive with chain tensioner	59
28. Beater protective device	61
29. Tailgate with Cross conveyor	63
30. Hydraulic/Elektrical operation	67
31. Manifoldblock Typ S	69
32. Manifoldblock Typ SWV	71

33. Steel construction as windcover Rapide 100	73
34. Extra Slide guide + cords for wind cover construction Rapide 100	75
35. Steel construction + cords as wind cover Rapide 130; 135 and 165	77
36. Gear box Type-S 351.0084 Röchling	78
37. Gear box Type SWV 351.0076 Kordel	79
38. Hydraulic system Rapide 100-S	80
39. Hydraulic system Rapide 130-S ; 135-S	81
40. Hydraulic system Rapide 130-SWV	82
41. Hydraulic system Rapide 165-SWV	83
42. Electrical circuit diagram Rapide S	84
43. Electrical circuit diagram Rapide SW and SWV	85

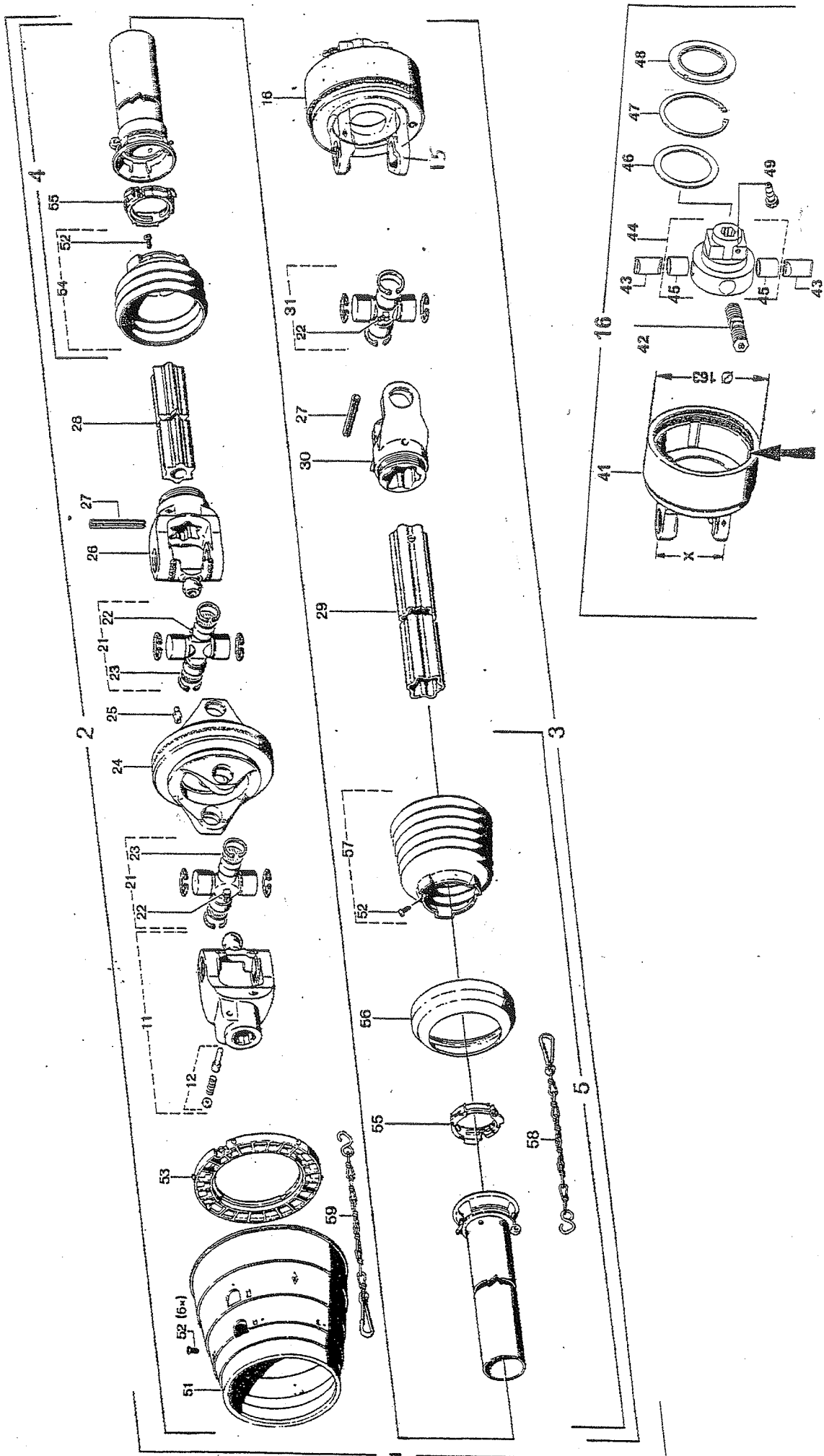
GUIDELINES FOR ORDERING SPARE PARTS

If you follow the rules stated below when ordering spare parts, you will be assured of a fast and correct delivery.

1. State the model, year of construction and serial number of your Rapide
2. State both the full number of the part (if known) and the description.
3. State how the part needs to be despatched.
4. When ordering wheel axle parts, it is also advisable to state the wheel axle type. This can be found on the type plate of the wheel axle.

The numbers of the parts of the SCHUITEMAKER-wagons can be found in the first column below the heading *SR-no.* These can be ordered from:

SCHUITEMAKER Machines B.V. Rijssen – The Netherlands
Postbus 219 - 7460 AE Rijssen – The Netherlands
Tel: 0031 - 548 - 514125
Fax: 0031 - 548 - 516840
Spare Parts Dept.
Ext. 41

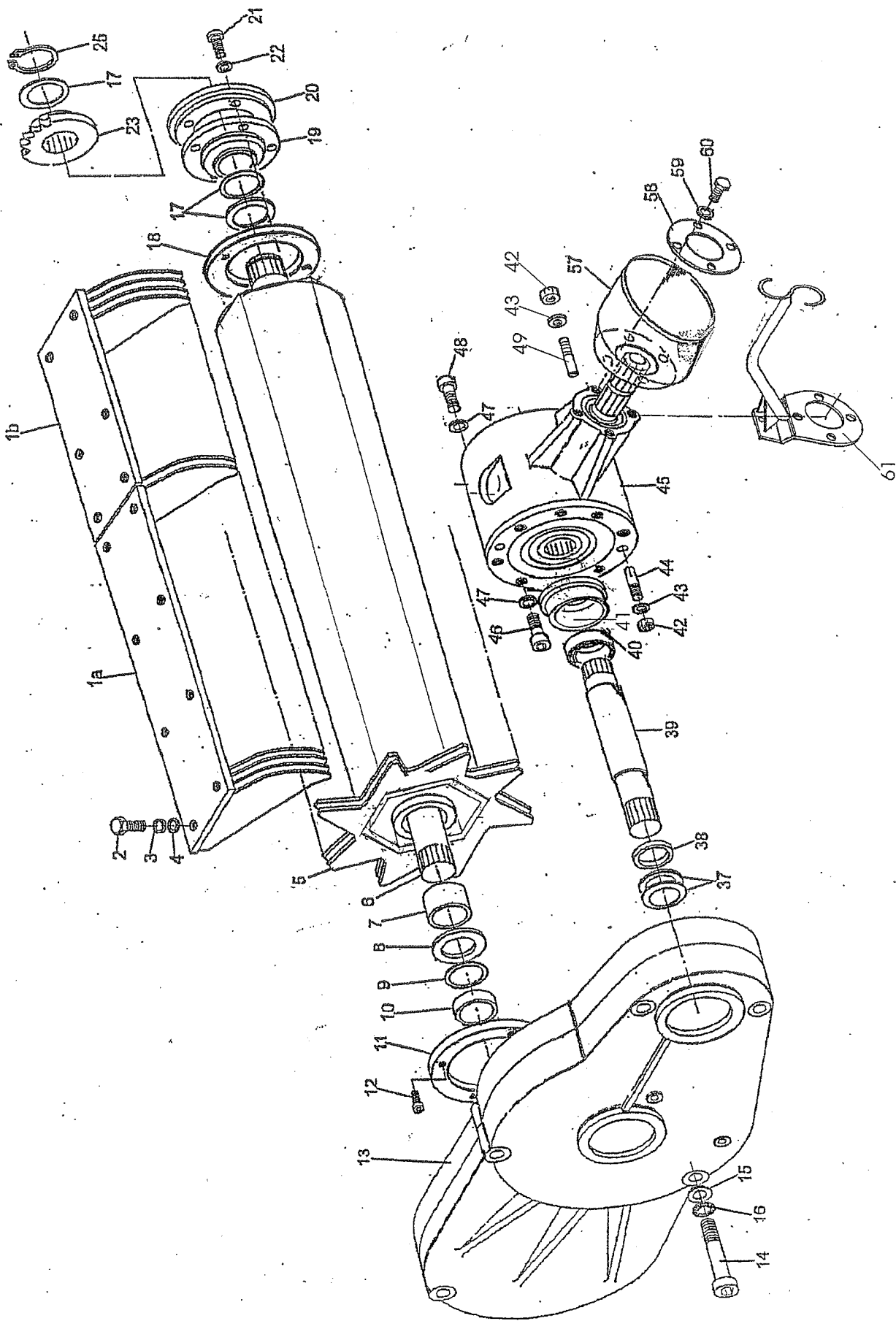


1. P.T.O. DRIVE SCHAFT WITH WIDE-ANGLE YOKE AND CAM-TYPE CLUTCH
1. ENKELZIJDIGE GROOTHOEK-KOPPELINGSAS MET NOKKENKOPPELING

<i>Fig.</i>	<i>SR-no.</i>	<i>Omschrijving</i>	<i>Description</i>
1	354.0172	Koppelingsas WWE 2480 1600 Nm cpl.	P.T.O. shaft WWE 2480 1600 Nm cpl.
4	455.0020	Buitenbeschermbuis met kap	Outside protection tube with cover
	455.0153	Buitenbeschermbuis cpl. met kap	Outside protection tube cpl. with cover
5	455.0021	Binnenbeschermbuis	Inner protection tube
	455.0152	Binnenbeschermbuis cpl. met kap	Inner protection tube cpl. with cover
11	455.0048	Groothoek-opsteekgaffel	Wide-angle set-up yolk
12	455.0046	Drukstift set (Agra 101)	Locking pin set (Agra 101)
15	455.0054	Flensgaffel	Flange yolk
16	455.0112	Nokkenschakelkoppeling 1600 Nm	Cam-type clutch 1600 Nm
21	455.0056	Groothoek-kruisstuk (incl. 7; 8)	Wide-angle cross-piece (incl 7; 8)
22	342.0105	Smeernippel M8x1	Grease nipple M8x1
24	455.0049	Dubbel-gaffel	Double yolk
25	342.0105	Smeernippel M8x1	Grease nipple M8x126
26	455.0091	Profielgaffel	Profiled yolk
27	312.0130	Spanstift 10x80-1481	Clamping pin 10x80-1481
28	455.0093	Sterbuis S4GA (binnen)	Profiled tube S4GA (inside)
29	455.0094	Sterbuis S5 (buiten)	Profiled tube S5 (outside)
30	455.0092	Profielgaffel	Profiled yolk
31	455.0055	Kruisstuk cpl.	Cross-piece cpl.
51	455.0161	Beschermrechter	Protective cover
53	455.0162	Glijring	Sliding ring
54	455.0154	Beschermkap met schroef (incl.15)	Protective cover with screw (incl.15)
55	455.0155	Glijring	Sliding ring
56	455.0088	Steunring	Supporting ring
57	455.0154	Beschermrechter	Safety cover
59	450.0035	Borgketting	Locking chain

1.1. CAM-TYPE CLUTCH
1.1. NOKKENKOPPELING

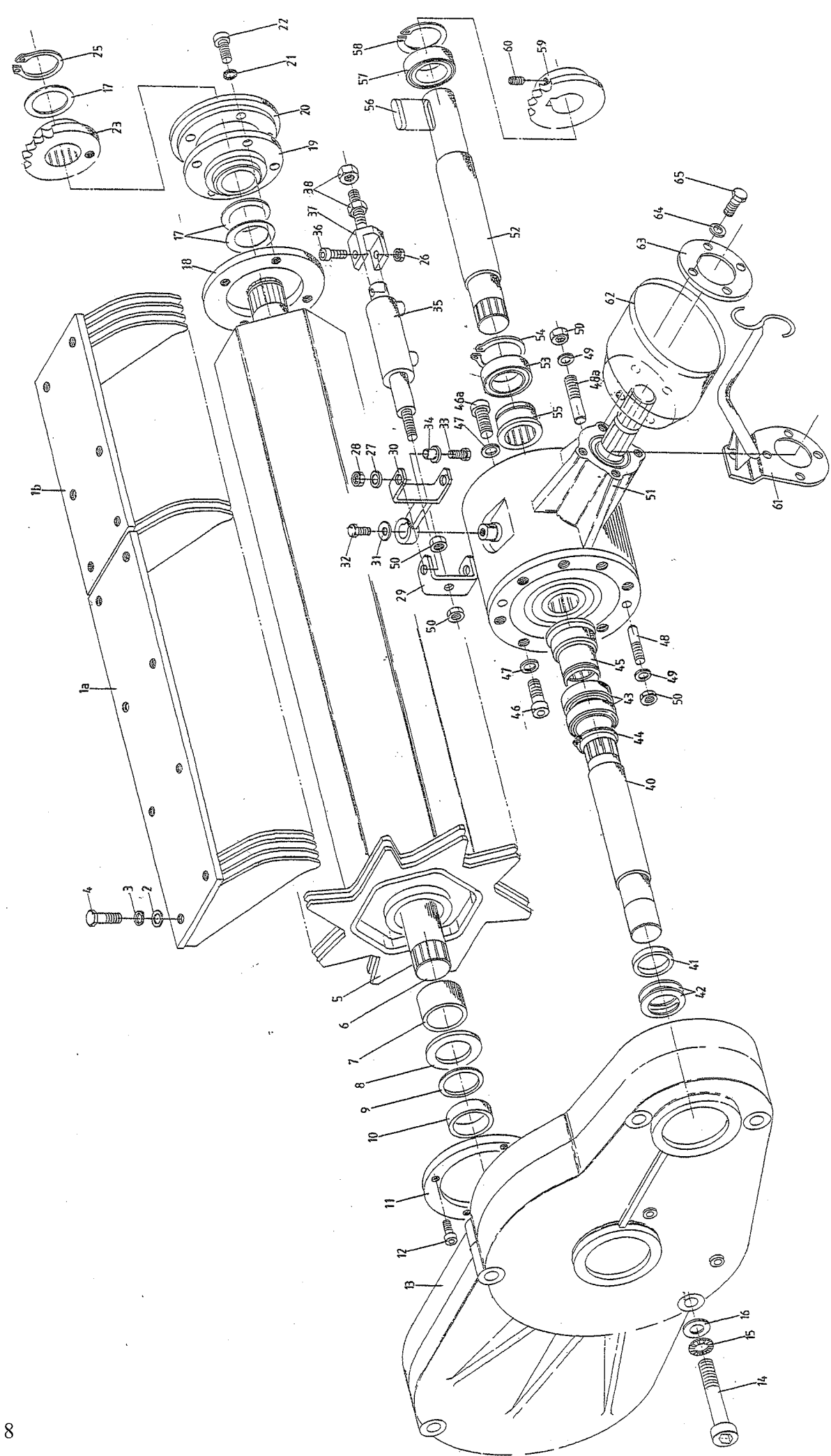
<i>Fig.</i>	<i>SR-no.</i>	<i>Omschrijving</i>	<i>Description</i>
16	455.0112	Nokkenschakelkoppeling 1600 Nm	Cam-type clutch 1600 Nm
41	455.0067	Koppelingshuis	Clutch housing
42	455.0078	Schakelnok 1600 Nm	Switch cam 1600 Nm
43	455.0065	Blokkeernok	Locking cam
44	455.0063	Naaf	Hub
45	455.0064	Glijbus	Sliding sleeve
46	455.0061	Dichtring	Sealing ring
47	313.0214	Borgring I-150	Locking ring I-150
48	455.0062	Steunring	Supporting ring
49	455.0096	Klemkonus	Clamping cone



2. ROTOR INTAKE TYPE-S WITH DRIVE
2. ROTORINVOER MET AANDRIJVING

Drawing no. : 975.0035

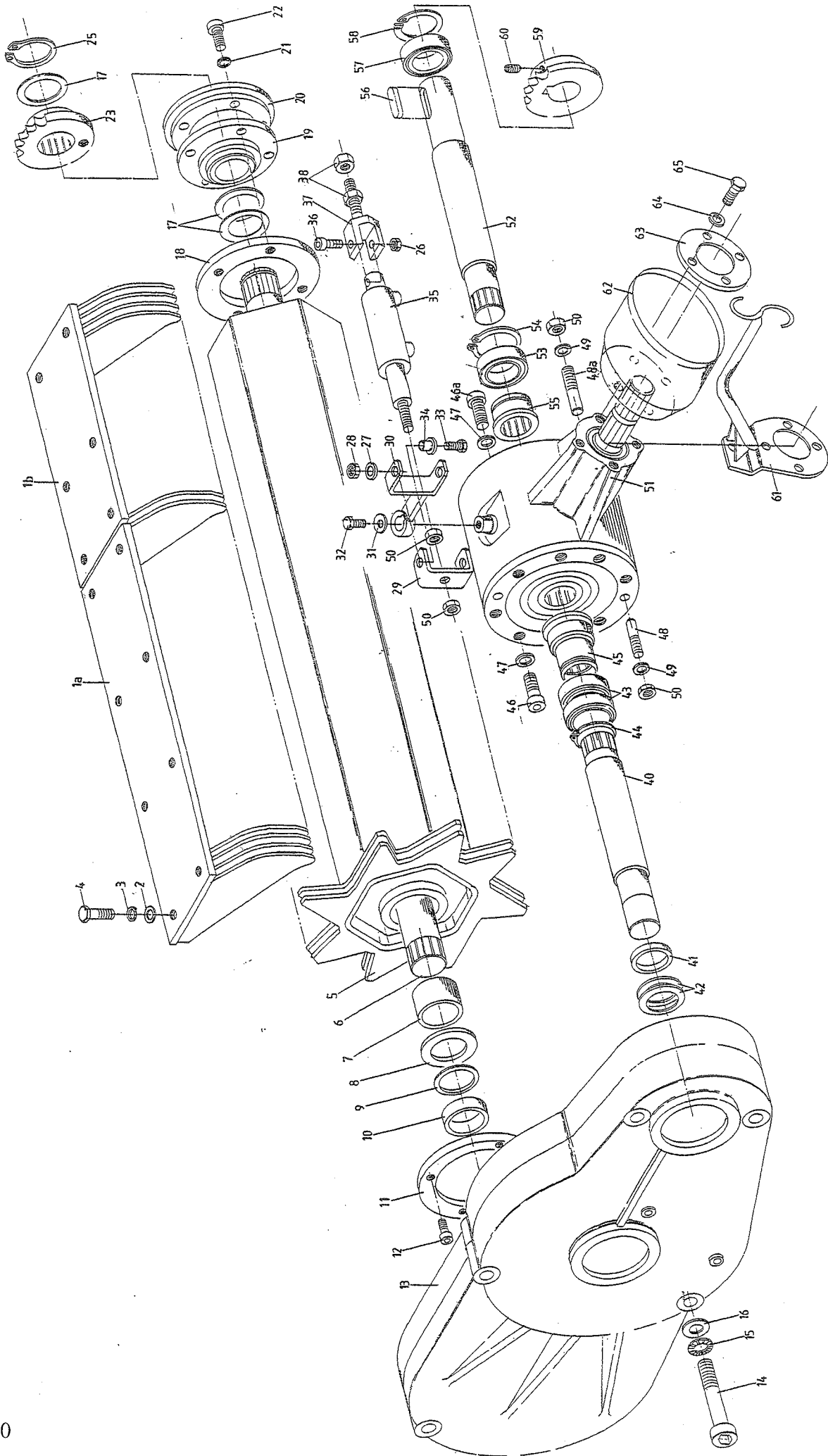
Fig.	SR-no.	Omschrijving	Description
1a	961.0542	Afstrijkerlijst lang Rap. 100; 130	Stripper frame long Rap. 100; 130
	969.1123	Afstrijkerlijst lang Rap. 135	Stripper frame long Rap. 135
1b	961.0543	Afstrijkerlijst kort Rap. 100; 130	Stripper frame short Rap. 100; 130
	969.1124	Afstrijkerlijst kort Rap. 135	Stripper frame short Rap. 135
	934.0383	Afstrijker	Stripper
2	301.0803	Bout M12x20	Bolt M12x20
3	316.0902	Tandveerring J12	Toothed spring ring J12
4	316.0702	Sluitring A13	Washer A13
5	961.0930	Rotor 8T-A72/6K-40 Rap. 100; 130	Rotor 8T-A72/6K-40 Rap. 100; 130
	969.1125	Rotor 8T-A72/6K-44 Rap. 135	Rotor 8T-A72/6K-44 Rap. 135
6	921.0273	Rotoras B72x66 Rap. 100; 130	Rotor shaft B72x66 Rap. 100; 130
	921.0524	Rotoras B72x66 Rap. 135	Rotor shaft B72x66 Rap. 135
7	402.0211	Glijlager N72100	Slide bearing N72100
8	403.0135	Loopschijf LS-75100	Counting disc LS-75100
9	349.0089	Vulschijf PS-75x95x1	Filler disc PS-75x95x1
	349.0090	Vulschijf PS-75x95x2	Filler disc PS-75x95x2
10	926.0336	Afstandbus 7228	Spacing sleeve 7228
11	969.1860	Afdichtring 60/M8	Sealing ring 60/M8
12	302.0607	Cilinderkopbout M8x20	Cylinder head bolt M8x20
13	351.0082	Rotortandwielkast A72x66-RL (zie blz. 21)	Rotor gearbox A72x66-RL (page 21)
14	302.0637	Cilinderkopbout M16x160	Cylinder head bolt M16x160
	302.0639	Cilinderkopbout M16x200	Cylinder head bolt M16x200
15	316.0707	Sluitring A17	Washer A17
16	316.0919	Tandveerring J16,5	Toothed spring ring J16,5
17	349.0044	Vulschijf 60x75x1	Filler disc 60x75x1
	349.0047	Vulschijf 60x75x2	Filler disc 60x75x2
18	969.1861	Afdichtring 60/M16	Sealing ring 60/M16
19	900.0132	Kogellager RME 60/192	Ball bearing RME 60/192
20	936.0809	Eindflens 60/8	End flange 60/8
21	301.0836	Bout M16x45	Bolt M16x45
22	316.0915	Borgring NL-16 Nord-Lock	Locking ring NL-16 Nord-Lock
23	953.0673	Kettingwiel ¾"-26	Chain wheel ¾"-26
	900.0211	Breekbout M12x62	Shearing bolt M12x62
25	313.0121	Borgring A-60	Locking ring A-60
37	456.0064	Schotelring	Belleville washer
38	456.0063	Steunring	Ring
39	456.0186	Drijfjas B50x45/160-RL Rap. 100; 130	Drive shaft B50x45/160-RL Rap. 100;130
	456.0190	Drijfjas B50x45/175-RL Rap. 135	Drive shaft B50x45/175-RL Rap. 135
40	401.0208	Kogellager 6209-2RS	Ball bearing 6209-2RS
41	456.0097	Lagerbus	Bearing bushe
42	306.0704	Moer M12	Nut M12
43	316.0702	Sluitring A13	Washer A13
44	456.0098	Paspen 12M6x57	Dowel 12M6x57
45	351.0084	Tandwielkast WG-13>28-RL (zie blz.78)	Gear box WG-13>28-RL (page 78)
46	302.0640	Cilinderkopbout M16x50	Cylinder head bolt M16x50
47	316.0919	Veerring 16mm	Spring ring 16mm
48	302.0623	Cilinderkopbout M16x40	Cylinder head bolt M16x40
49	456.0018	Paspen 12M6x47	Dowel 12M6x47
57	900.0116	Beschermrechter	Protective cover
58	934.0136	Versterkingsring	Reinforcing ring
59	316.0906	Veerring 12mm	Spring ring 12mm
60	301.0805	Bout M10x25	Bolt M10x25
61	968.0344	Slanghouder	Hose reels



3. ROTOR INTAKE TYPE-SWV WITH DRIVE
3. ROTORINVOER MET AANDRIJVING

Drawing no. : 975.0039

Fig.	SR-no.	Omschrijving	Description
1a	961.0542	Afstrijkerlijst lang Rap. 130	Stripper frame long Rap. 130
	969.1123	Afstrijkerlijst lang Rap. 165	Stripper frame long Rap. 165
1b	961.0543	Afstrijkerlijst kort Rap. 130	Stripper frame short Rap. 130
	969.1124	Afstrijkerlijst kort Rap. 165	Stripper frame short Rap. 165
	934.0383	Afstrijker	Stripper
2	301.0803	Bout M12x20	Bolt M12x20
3	316.0902	Tandveerring J12	Toothed spring ring J12
4	316.0702	Sluitring A13	Washer A13
5	961.0930	Rotor 8T-A72/6K-40 Rap. 130	Rotor 8T-A72/6K-40 Rap. 130
	969.1125	Rotor 8T-A72/6K-44 Rap. 165	Rotor 8T-A72/6K-44 Rap. 165
6	921.0273	Rotoras B72x66 Rap. 130	Rotor shaft B72x66 Rap. 130
	921.0524	Rotoras B72x66 Rap. 165	Rotor shaft B72x66 Rap. 165
7	402.0211	Glijlager N72100	Slide bearing N72100
8	403.0135	Loopschijf LS-75100	Counting disc LS-75100
9	349.0089	Vulschijf PS-75x95x1	Filler disc PS-75x95x1
	349.0090	Vulschijf PS-75x95x2	Filler disc PS-75x95x2
10	926.0336	Afstandbus 7228	Spacing sleeve 7228
11	969.1860	Afdichtring 60/M8	Sealing ring 60/M8
12	302.0607	Cilinderkopbout M8x20	Cylinder head bolt M8x20
13	351.0074	Rotortandwielkast A72x66-Kd (zie blz. 19)	Rotor gearbox A72x66-Kd (page 19)
14	302.0637	Cilinderkopbout M16x160	Cylinder head bolt M16x160
	302.0639	Cilinderkopbout M16x200	Cylinder head bolt M16x200
15	316.0707	Sluitring A17	Washer A17
16	316.0915	Tandveerring J16,5	Toothed lock washer J16,5
17	349.0044	Vulschijf 60x75x1	Filler disc 60x75x1
	349.0047	Vulschijf 60x75x2	Filler disc 60x75x2
18	969.1861	Afdichtring 60/M16	Sealing ring 60/M16
19	900.0132	Kogellager RME 60/192	Ball bearing RME 60/192
20	936.0809	Eindflens 60/8	End flange 60/8
21	301.0836	Bout M16x45	Bolt M16x45
22	316.0915	Borgring NL-16 Nord-Lock	Locking ring NL-16 Nord-Lock
23	953.0673	Kettingwiel 3/4"-26	Chain wheel 3/4"-26
23a	900.0211	Breekbout M12x62	Shearing bolt M12x62
25	313.0121	Borgring A-60	Locking ring A-60
26	306.0306	Borgmoer M10	Locking nut M10
27	316.0709	Sluitplaat A6,4	Washer A6,4
28	306.0311	Borgmoer M6	Locking nut M6
29	913.1185	U-beugel met gat	U-bracket
30	961.0997	Schakelhefboom	Gear lever
31	316.0713	Sluitring R9	Washer R9
32	301.0806	Bout M8x20	Bolt M8x20
33	301.0827	Bout M6x25	Bolt M6x25
34	402.0166	Glijlager 6/10x16	Slide bearing 6/10x16
35	355.3005	Hydr cilinder D16/25-100	Hydr cylinder D16/25-100
36	302.0602	Cilinderkopbout M10x45	Cylinder head bolt M10x45
37	921.0328	Stelgaffel M12	Adjusting fork M12
38	306.0302	Borgmoer M12	Locking nut M12

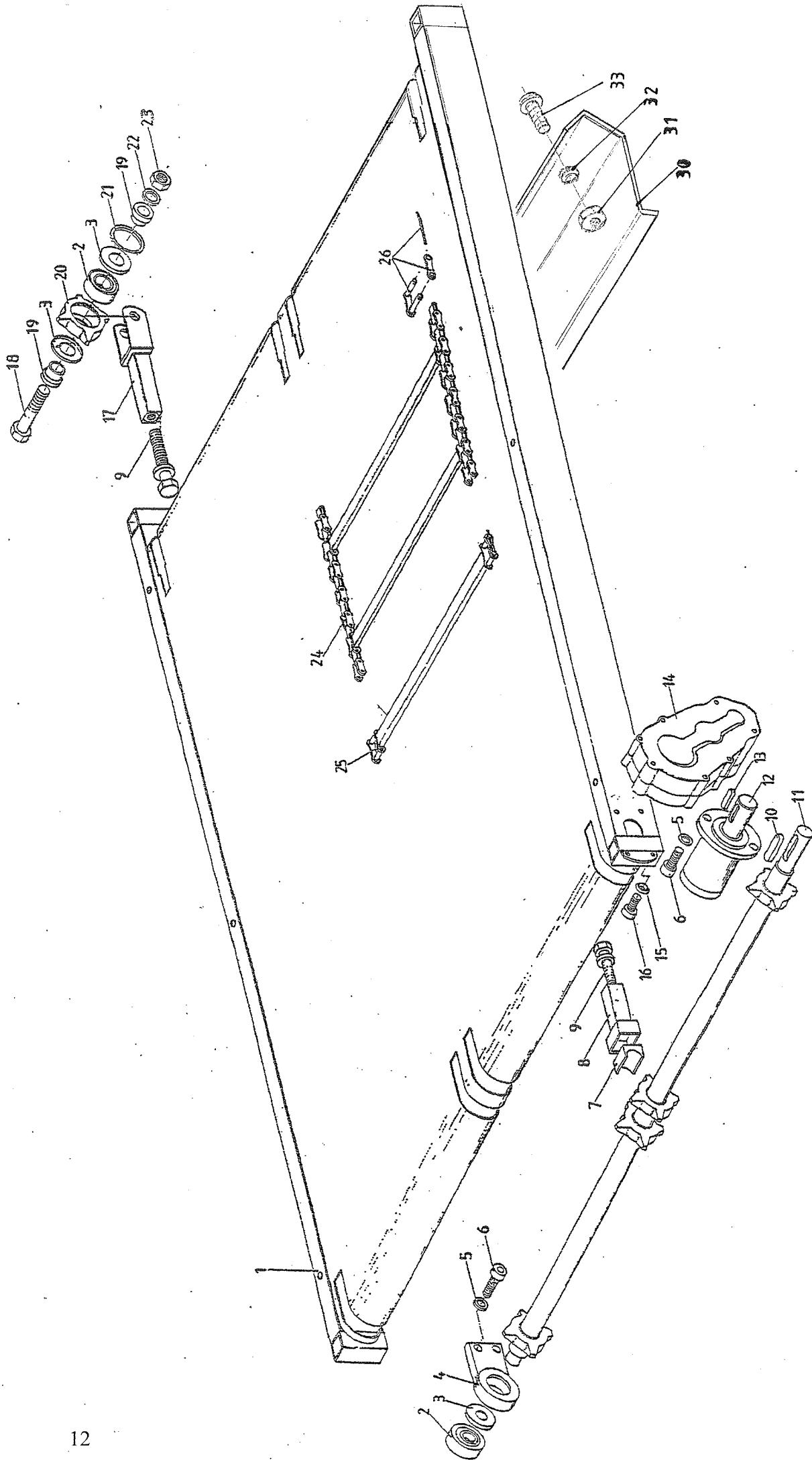


CONTINUATION ROTOR INTAKE TYPE-SW WITH GEAR

VERVOLG ROTORINVOER MET AANDRIJVING

Drawing no. : 975.0039

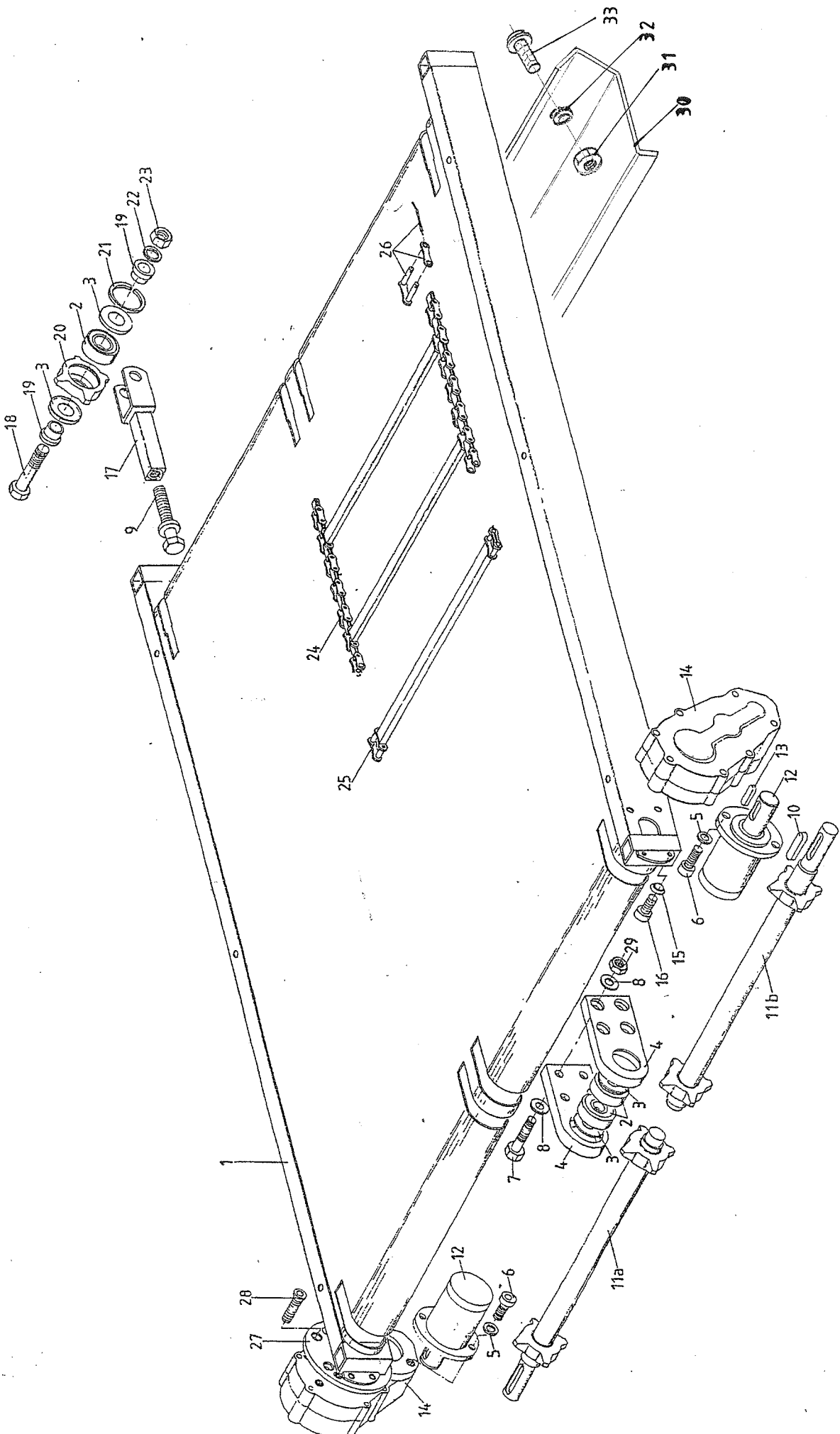
<i>Fig.</i>	<i>SR-no.</i>	<i>Omschrijving</i>	<i>Description</i>
40	456.0059	Rotordrijfas B50x45-160 Rap. 130	Rotor drive shaft B50x45-160 Rap. 130
	456.0305	Rotordrijfas B50x45-175 Rap. 165	Rotor drive shaft B50x45-175 Rap. 165
41	456.0063	Steuning	Buche
42	456.0064	Schotelring	Belleville washer
43	401.0231	Kogellager 6012-2RS	Ball bearing 6012-2RS
44	313.0121	Borgring A-60	Safety ring A-60
45	456.0099	Schakelbus	Gear bush
46	302.0640	Cilinderkopbout M16x50	Cylinder head bolt M16x50
46a	302.0623	Cilinderkopbout M16x40	Cylinder head bolt M16x40
47	316.0919	Veerring 16 mm	Spring washer 16 mm
48	456.0098	Paspen 12M6x57	Dowel 12M6x57
48a	456.0018	Paspen 12M6x47	Dowel 12M6x47
49	316.0702	Sluitring A13	Washer A13
50	306.0704	Moer M12	Nut M12
51	351.0076	Schakeltandwielkast SG-13/28-Kd (zie blz.79)	Gear box SG-13/28-Kd (See page 79)
52	456.0061	Verdeler-drijfas	Beater drive shaft
53	401.0275	Kogellager 6011-2RS	Ball bearing 6011-2RS
54	313.0124	Borgring A-55	Safety ring A-55
55	456.0100	Splinesbus	Bush with splines
56	315.0123	Spie 12x8x45	Key 12x8x45
57	401.0209	Kogellager 6308-2RS	Ball bearing 6308-2RS
58	313.0212	Borgring I-90	Safety ring I-90
59	353.0617	Kettingwiel 1" Z=15 TL	Chain sprocket 1" Z=15 TL
59a	353.0687	Klembus 2012-40	Clamping bush 2012-40
61	968.0344	Slanghouder	Hose reels
62	900.0116	Beschermtrichter	Protective cover
63	934.0136	Versterkingsring	Reinforcing ring
64	316.0906	Veerring 10mm	Spring ring 10mm
65	301.0805	Bout M10x25	Bolt M10x25



4. FLOOR CHAIN WITH DRIVE TYPE 100; 130; 135
4. BODEMKETTING MET AANDRIJVING TYPE 100; 130; 135

Drawing no.: 975.0019

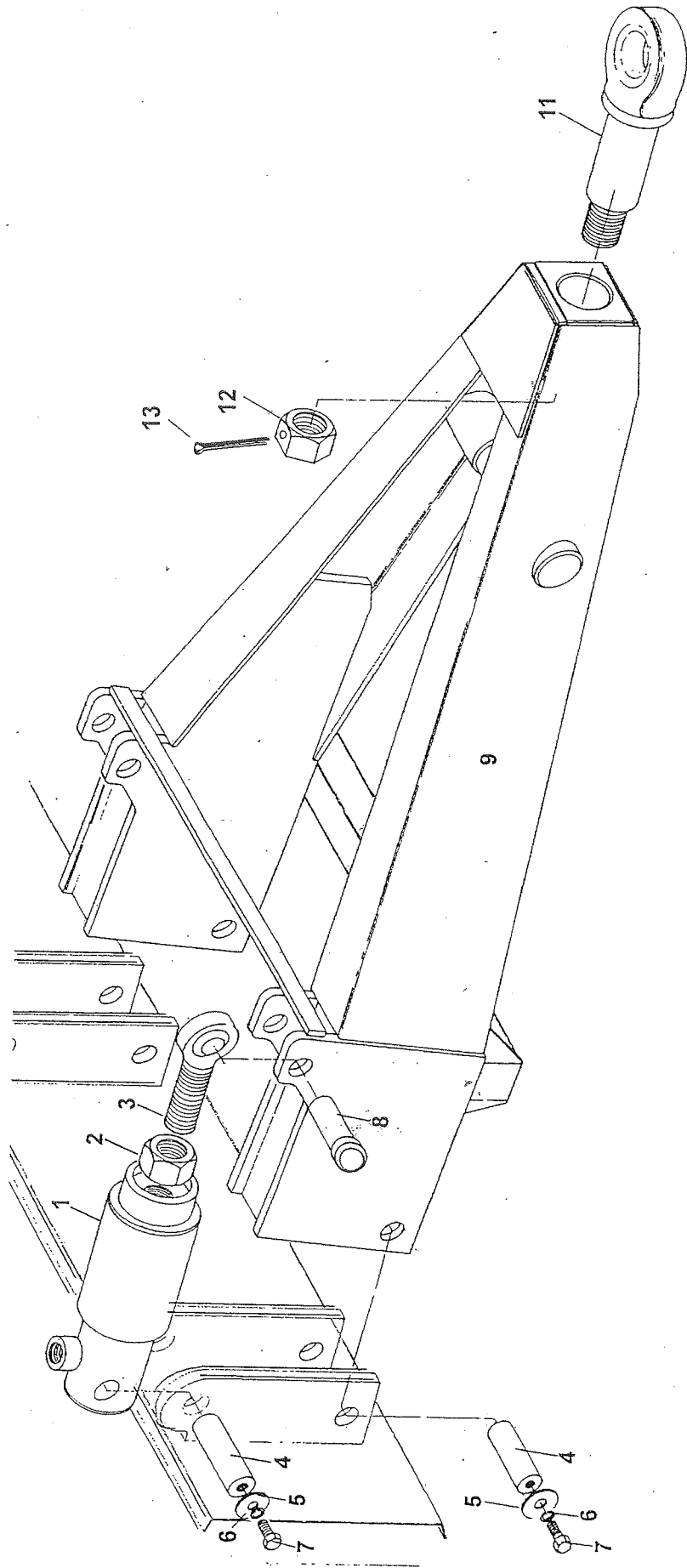
<i>Fig.</i>	<i>SR-no.</i>	<i>Omschrijving</i>	<i>Description</i>
2	401.0107	Kogellager 6306-2RS	Ball bearing 6306-2RS
3	361.0119	Nilosring 6306-AV	Nilos ring 6306-AV
4	941.0086	Glandlagerhuis	Gland bearing housing
5	316.0904	Veerring 12 mm	Spring ring 12 mm
6	302.0615	Cilinderkopbout M12x35	Cylinder head bolt M12x35
7	402.0154	Steunlagerblok 45	Suspension bearing block 45
	402.0165	Steunlagerblok 50	Suspension bearing block 50
8	966.0001	Steunlagerhuis	Suspension bearing housing
9	303.0958	Spanbout M16	Tensioning bolt M16
9a	281.0037	Borgblokje M16	Safety plate M16
10	315.0121	Spie 14x9x80	Feather key 14x9x80
11	968.0361	Transportkettingas	Transport chain pinion axle
12	355.0510	Hydromotor OMP-125	Hydro Motor OMP-125
13	315.0103	Spie 8x7x30	Feather key 8x7x30
14	351.0024	Zijkast Ø45 (zie blz. 23)	Side box Ø45 (page 23)
15	316.0917	Bolle veerring C12,5	Spring ring C12,5
16	302.0630	Cilinderkopbout M12x25	Cylinder head bolt M12x25
17	967.0581	Kettingspanner	Chain tensioner
18	301.0745	Bout M16x70	Bolt M16x70
19	925.0481	Klembus	Clamping bush
20	942.0029	Kettingspanwiel	Chain sprocket
21	313.0401	Seegersprengring SB72	Seeger circlip-SB72
22	316.0901	Veerring 16 mm	Spring ring 16 mm
23	306.0702	Moer M16	Nut M16
24	969.1321	Bodemketting (Rapide 100)	Floor chain (Rapide 100)
	969.1322	Bodemketting (Rapide 130; 135)	Floor chain (Rapide 130; 135)
25	966.0069	Kettingstaaf 22/2	Chain rod 22/2
26	431.0122	Verbindingsschalm	Joining link
30	937.0995	Afsluitplaat (Rapide 130)	Closing plate (Rapide 130)
	937.0628	Afsluitplaat (Rapide 135)	Closing plate (Rapide 135)
31	306.0306	Borgmoer M10	Locking nut M10
32	316.0705	Sluitring A10,5	Washer A10,5
33	303.0728	Slotbout M10x25	Bolt M10x25



5. FLOOR CHAIN WITH DOUBLE DRIVE TYPE 165
5. BODEMKETTING MET DUBBELE AANDRIJVING TYPE 165

Drawing no. : 975.0020

<i>Fig.</i>	<i>SR-no.</i>	<i>Omschrijving</i>	<i>Description</i>
2	401.0107	Kogelager 6306-2RS	Ball bearing 6306-2RS
3	361.0119	Nilosring 6306 - AV	Nilos ring 6306-AV
4	377.0303	Lagerplaat	Bearing plate
5	316.0904	Veerring 12 mm	Spring ring 12 mm
6	302.0615	Cilinderkopbout M12x35	Cylinder head bolt M12x35
7	301.0735	Bout M12x55	Bolt M12x55
8	316.0702	Sluitring A13	Washer A13
9	303.0958	Spanbout M16	Tension bolt M16
10	315.0121	Spie 14x9x80	Feather key 14x9x80
11a	960.0678	Transportkettingas li.	Transport chain pinion axle left
11b	960.0679	Transportkettingas re.	Transport chain pinion axle right
	355.0035	Hydromotor OMP-160	Hydro Motor OMP-160
13	315.0103	Spie 8x7x30	Feather key 8x7x30
14	351.0024	Zijkast Ø45 (zie blz.23)	Side box Ø45 (page 23)
15	316.0917	Bolle veerring C12,5	Spring ring C12,5
16	302.0630	Cilinderkopbout M12x25	Cylinder head bolt M12x25
17	967.0581	Kettingspanner	Chain tensioner
18	301.0745	Bout M16x70	Bolt M16x70
19	925.0481	Klembus	Clamping bush
20	942.0029	Kettingspanwiel	Chain tensioning wheel
21	313.0401	Seegersprengring SB72	Seeger circlip SB72
22	316.0901	Veerring 16 mm	Spring ring 16 mm
23	306.0702	Moer M16	Nut M16
24	960.0946	Bodemketting (2x)	Deck chain (2x)
	969.1324	Bodemketting (2x)	Deck chain (2x)
25	960.0694	Kettingstaaf	Chain rod
26	431.0153	Verbindingsschalm	Joining link
27	933.0978	Bevestigingsschijf	Mounting disc
28	303.0932	Verz. bout M12x25	Bolt M12x25
29	306.0302	Borgmoer M10	Locking nut M10
30	937.0628	Afsluitplaat	Closing plate
31	306.0306	Borgmoer M10	Locking nut M10
32	316.0705	Sluitring A10,5	Washer A10,5
33	303.0728	Slotbout M10x25	Bolzen M10x25

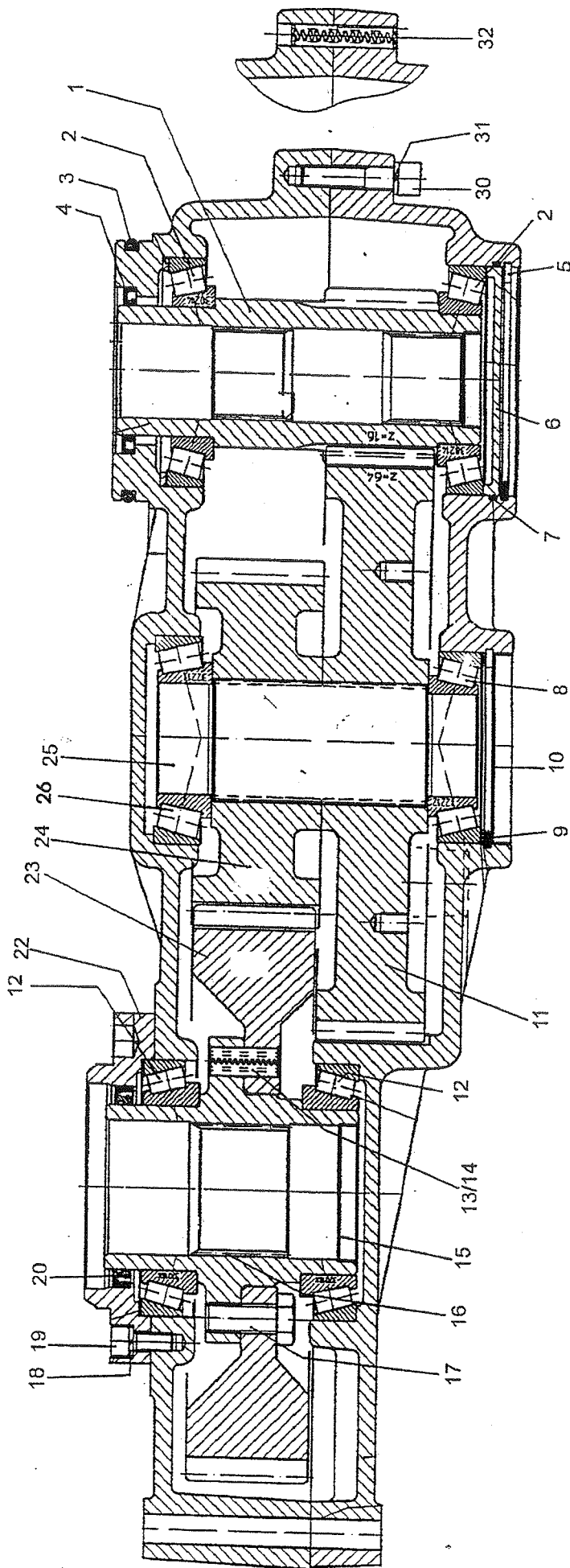


6. TOWBARS

6. TREKKOPPEN

Drawing no. 975.0005

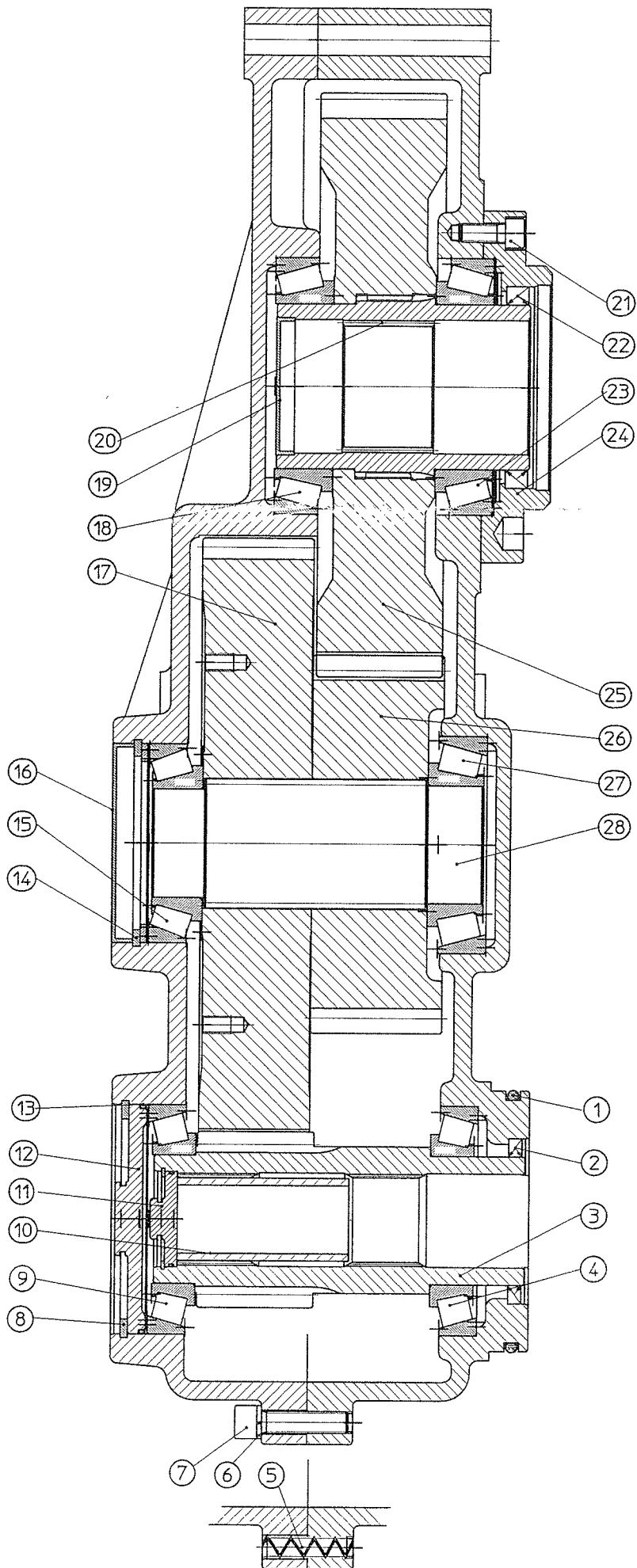
<i>Fig.</i>	<i>SR-no.</i>	<i>Omschrijving</i>	<i>Description</i>
1	355.0773	Hydraulische cilinder	Hydr. Cylinder
1a	454.0808	Set afdichtingen	Set of seals
2	306.0716	Moer M39×3	Nut M39×3
3	401.0222	Stangkop GAR-40 DO	Rodend GAR-40 DO
4	920.0753	Scharnierpen-30	Pivoting -pin 30
5	316.0742	Sluitring 50/11-8	Washer 50/11-8
6	316.0906	Veerring 10 mm	Spring washer 10 mm
7	301.0805	Bout M10×25	Bolt M10×25
8	921.0077	Scharnieras-40	Hinge pin-40
9	968.0833	Trekkop DO incl. 11 Rap. 100; 130; 135	Tow bar DO incl.11 Rap. 100; 130; 135
	969.1286	Trekkop ZDO incl. 11a Rap. 165	Tow bar ZDO incl. 11a Rap. 165
11	900.0231	Draaibaar trekoog (incl.12 en 13)	Revolving drawing eye (incl. 12 and 13)
11a	921.0560	Draaibaar trekoog (incl.12a en 13a)	Revolving drawing eye (incl. 12a and 13a)
12	306.0718	Moer M42×4,5	Nut M42×4,5
12a	900.0457	Moer M60x2	Nut M60x2
13	375.0139	Splitpen 8x90	Split pin 8x90
13a	375.0127	Splitpen 10x100	Split pin 10x100



7. ROTOR GEARBOX TYPE SWV 351.0074 KORDEL

7. ROTOR TANDWIELKAST TYPE SWV 351.0074 KORDEL

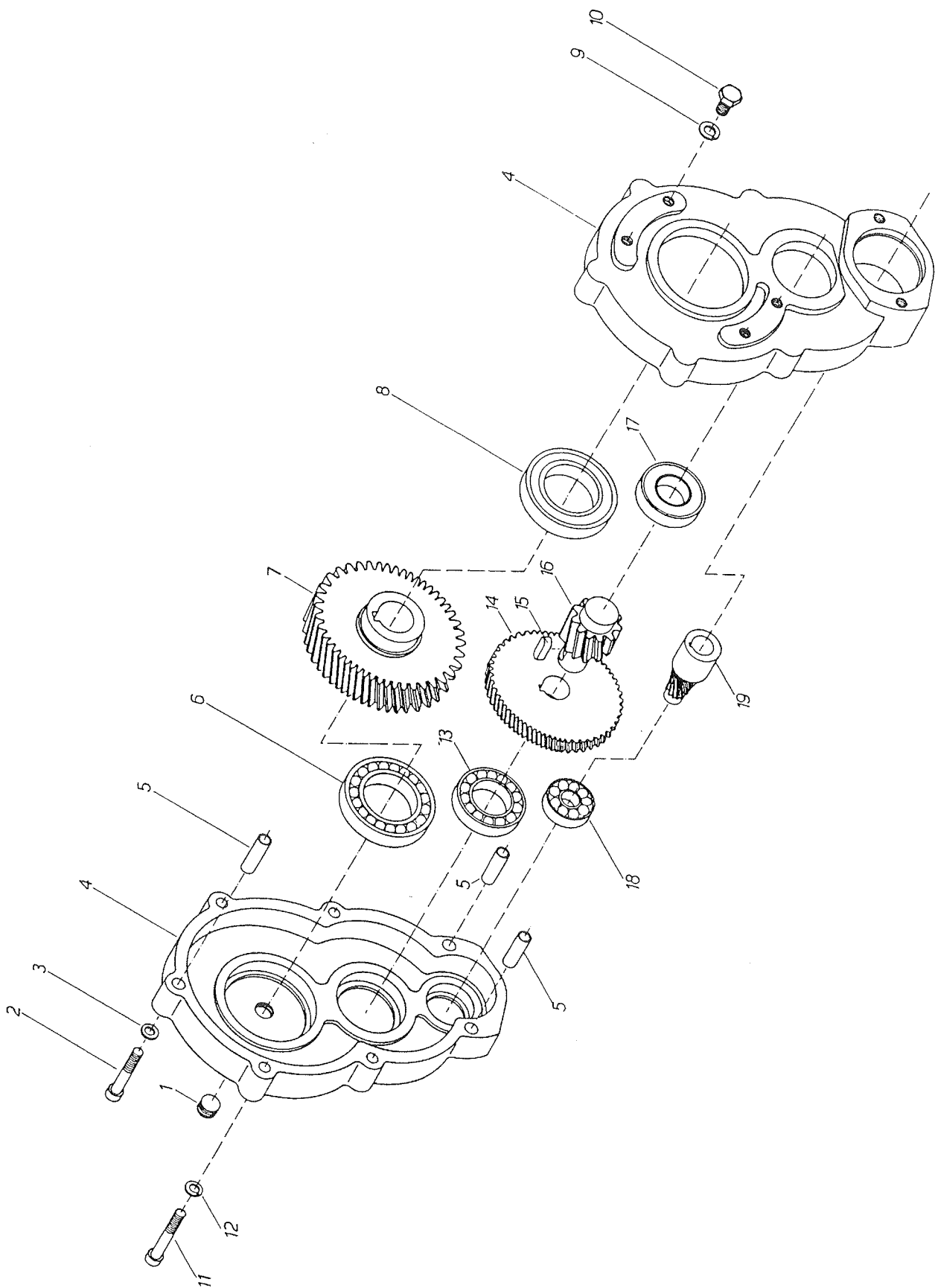
<i>Fig.</i>	<i>SR-no.</i>	<i>Omschrijving</i>	<i>Description</i>
-	351.0074	Rotortandwielkast A72	Gearbox A72
1	456.0066	Rondselas A50×45 Z=16	Pinion Z=16
2	401.0197	Kegellager 30214	Cone bearing 30214
3	365.0013	O-ring 130×5	O-ring 130×5
4	361.0138	Oliekeerring 70×90×7	Oil catcher 70×90×7
5	313.0218	Borgring I-125	Locking ring I-125
6	456.0071	Deksel-125	Cover-125
7	365.0015	O-ring 125×3	O-ring 125×3
8	401.0145	Kegellager 32212	Cone bearing 32212
9	313.0216	Borgring I-110	Locking ring I-110
10	349.0098	Deksel 110	Cover 110
11	456.0067	Tandwiel Z=64	Gear wheel Z=64
12	401.0149	Kegellager 32018	Cone bearing 32018
13	312.0136	Spanhuls 16×40	Clamping sleeve 16×40
14	312.0135	Spanhuls 10×40	Clamping sleeve 10×40
15	349.0092	Deksel 75	Cover 75
16	456.0069	Profielnaaf A72	Nave with splines A72
17	302.0644	Bout M16×1,5×40	Bolt M16×1,5×40
18	316.0906	Veerring 10 mm	Spring washer 10 mm
19	302.0601	Cilinderkopbout M10×25	Cylinder head bolt M10×25
20	361.0149	Oliekeerring 90×110×10	Oil catcher 90×110×10
22	456.0071	Lagerdeksel	Bearing cover
23	456.0303	Tandwiel Z=37-m8	Gear wheel Z=37-m8
24	456.0304	Tandwiel Z=23-m8	Gear wheel Z=23-m8
25	456.0073	Profielas	Shaft with splines
26	401.0195	Kegellager 32213	Cone bearing 32213
30	302.0642	Cilinderkopbout M12×45	Cylinder head bolt M12×45
	302.0643	Cilinderkopbout M12×55	Cylinder head bolt M12×55
	302.0616	Cilinderkopbout M12×100	Cylinder head bolt M12×100
31	316.0904	Veerring 12 mm	Spring washer 12 mm
32	312.0137	Spanhuls 12×60	Clamping sleeve 12×60
33	456.0019	Ontluchtingsnippel M18×1,5	Air release plug M18×1,5
34	355.0279	Vulplug M18×1,5	Drain plug M18×1,5
35	456.0058	Aftapplug magn. M18×1,5	Drain plug magn. M18×1,5
36	364.0025	Dichtring 18×24×1,5	Sealing ring 18×24×1,5



8. ROTOR GEARBOX TYPE S 351.0082 RÖCHLING

8. ROTOR TANDWIELKAST TYPE S 351.0082 RÖCHLING

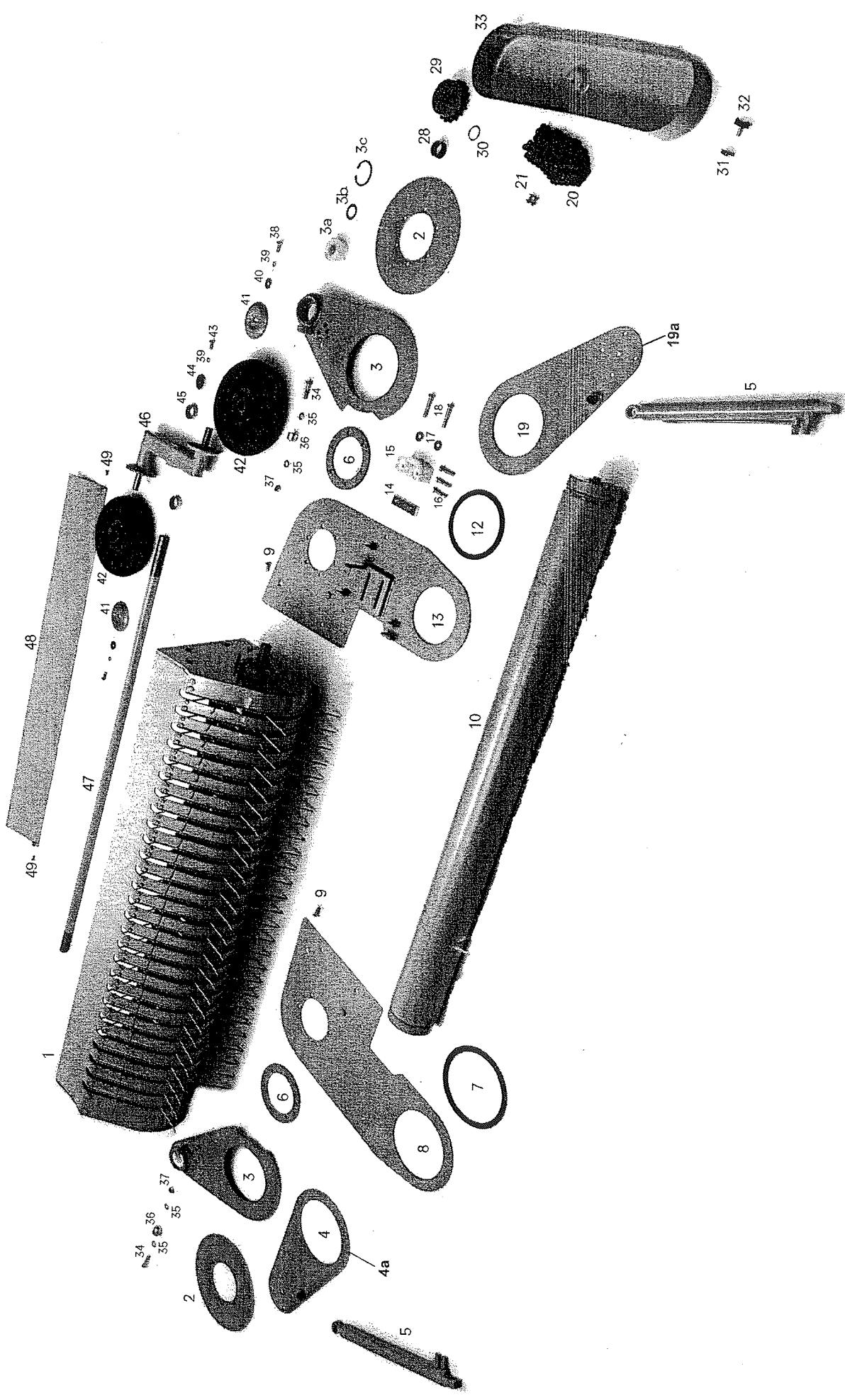
<i>Fig.</i>	<i>SR-nr.</i>		<i>Benennung</i>
-	351.0082	Rotortandwielkast A72	Gearbox A72
1	365.0019	O-Ring 130x6	O-Ring 130x6
2	361.0138	Oliekeerring 70x90x7	Oil catcher 70x90x7
3	456.1001	Rondselas	Pinion
4	401.0197	Kegellager 30214	Cone bearing 30214
5	312.0125	Spanstift 12x50	Clamping sleeve 12x50
6	316.0904	Veerring 12mm	Spring washer 12mm
7	302.0641	Cilinderkopbout M12x50	Cylinder head bolt M12x50
8	313.0218	Binnenborgring I-125	Locking ring I-125
9	401.0197	Kegellager 30214	Cone bearing 30214
10	456.1008	Afstandsbus	Distance bush
11	456.1007	Deksel	Cover
12	456.1006	Dichtschijf	Sealing disc
13	365.0018	O-Ring 120x3	O-Ring 120x3
14	313.0216	Binnenborgring I-110	Locking ring I-110
15	401.0145	Kegellager 32212	Cone bearing 32212
16	349.0098	Deksel 110x12	Cover 110x12
17	456.1002	Tandwiel	Gear wheel
18	401.0197	Kegellager 30214	Cone bearing 30214
19	349.0092	Deksel 75x10	Cover 75x10
20	456.1005	Splinesbus A72x66	Nave with splines A72x66
21	302.0601	Cilinderkopbout M10X25	Cylinder head bolt M10x25
22	361.0144	Oliekeerring 90x110x12	Oil catcher 90x110x12
23	401.0149	Kegellager 32018	Cone bearing 32018
25	456.1005	Tandwiel met naaf A72x66 cpl.	Gear wheel whit nave A72x66 kpl.
26	456.1004	Tandwiel	Gear wheel
27	401.0195	Kegellager 32213	Cone bearing 32213
28	456.1003	Profielas	Shaft with splines



9. FLOOR DRIVING GEARBOX

BODEM-AANDRIJFKAST

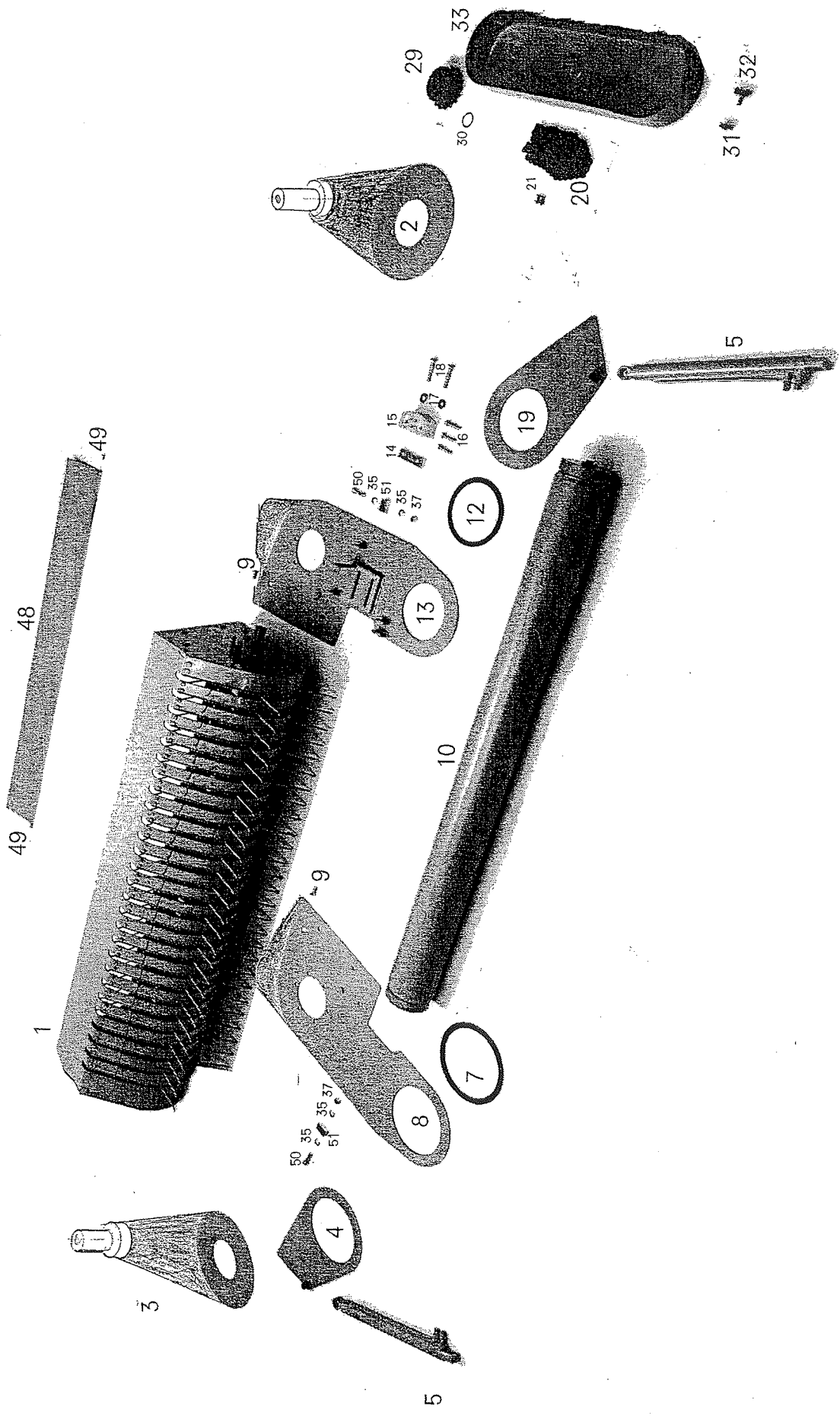
<i>Fig.</i>	<i>SR-no.</i>	<i>Omschrijving</i>	<i>Description</i>
-	351.0024	Bodem-aandrijfkst	Gearbox
1	381.0111	Draadstop M20×1,5	Screw plug M20×1,5
2	302.0013	Cilinderbout M10×65	Cylinder head bolt M10×65
3	316.0906	Veerring 10 mm	Spring washer 10 mm
4	450.0766	Tandwielkast (2-delig)	Gearcase (2-parts)
5	312.0127	Spanhuls 13×50	Clamping sleeve 13×50
6	401.0176	Kogellager 6013	Ball bearing 6013
7	456.0043	Tandwiel met gat Ø45	Gear wheel with hole Ø45
8	401.0177	Kogellager 6013-2RS	Ball bearing 6013-2RS
9	316.0917	Bolle veerring 12,5 mm	Spring washer 12,5 mm
10	301.0807	Bout M12×25	Bolt M12×25
11	302.0613	Cilinderkopbout M10×70	Cylinder head bolt M10×70
12	316.0705	Sluitring A 10,5	Washer A 10,5
13	401.0118	Kogellager 6009	Ball bearing 6009
14	450.0769	Tandwiel	Gear wheel
15	315.0103	Inlegspie 8×7×30	Key 8×7×30
16	450.0768	Tandrondsel	Pinion
17	401.0175	Kogellager 6207-2RS	Ball bearing 6207-2RS
18	451.0031	Kogellager 6304	Ball bearing 6304
19	450.0767	Tandas	Pinion



10. PICK-UP SUSPENSIO WITH DRIVE (5-ROWS) RAPIDE 100 AND 130

10. PICK-UP OPHANGING MET AANDRIJVING (5-BALKS) RAPIDE 100 EN 130

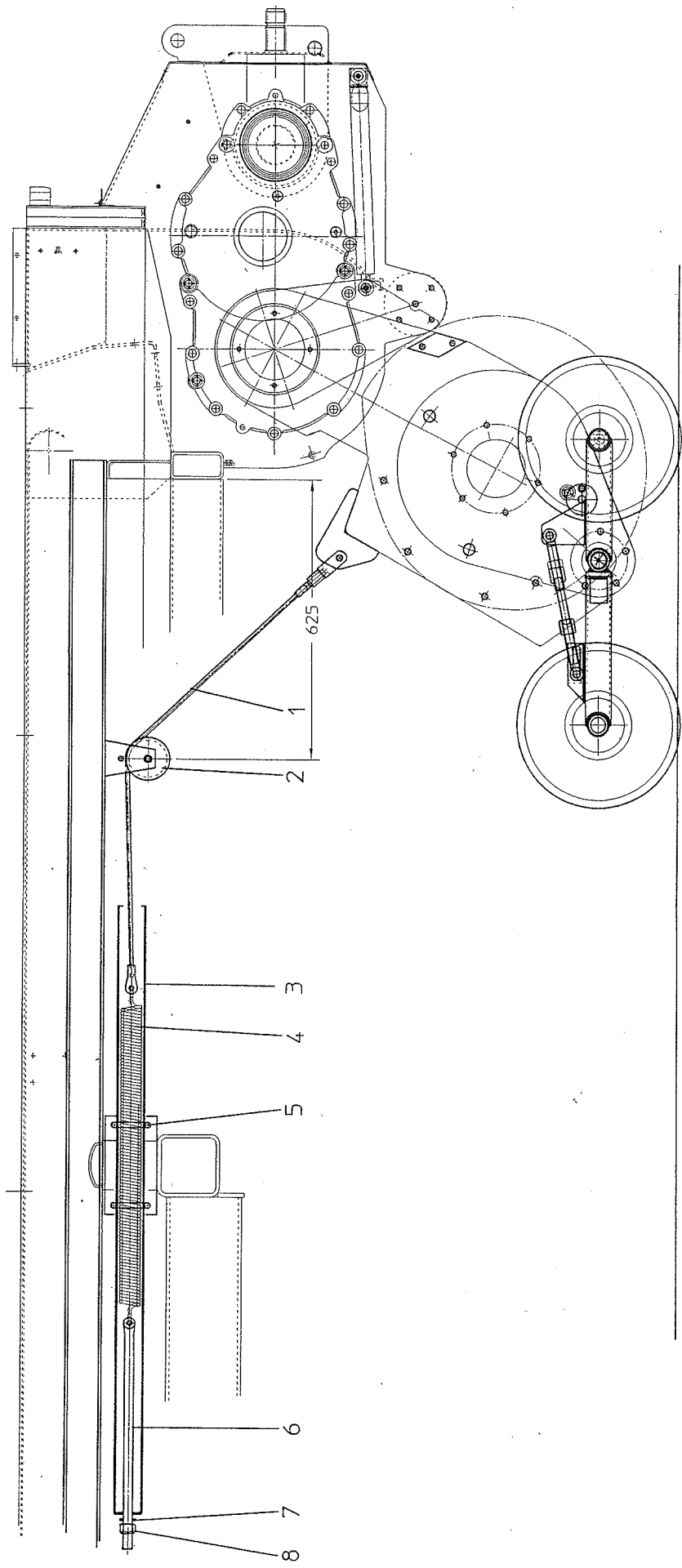
<i>Fig.</i>	<i>SR-no.</i>	<i>Omschrijving</i>	<i>Description</i>
1	433.0108	5-balks Pick-up compleet (zie blz.31)	Pick-up, 5 rows, complete (See page 31)
2	935.0425	Buitenschijf	Outer disc
3	968.0731	Loopwielplaat	Runner wheel plate
3a	402.0203	Glijlager N3536	Slide bearing N3536
3b	403.0129	Axiaalschijf AS 3552	Axial disc AS 3552
3c	313.0215	Binnenborgring	Locking ring, inside
4	961.0527	Rolplaat rechts Rap.100	Roller plate Right Rap.100
	961.0529	Pick-up hefplaat rechts Rap.130	Pick-up lifting plate right Rap.130
5	355.0792	Hydraulische cilinder (incl. 5a en b)	Hydr. cylinder (incl. 5a and b)
5a	402.0128	Glijlager 20/20	Slide bearing 20/20
5b	454.0810	Set afdichtingen t.b.v 5	Set of seals for 5
6	934.0073	Binnenschijf	Inner disc
7	402.0208	U-glijlager 192	U-slide bearing 192
8	953.0731	Pick-up plaat 60-re.	Pick-up-Plate 60-right
9	303.0948	Pl. verzonken bout M10×30	Countersunk Bolt M10×30
10		Invoerrol (zie blz. 37)	Feed roller Rap.100 (See page 37)
11	900.0132	Flenslager RME 60/192	Flange bearing RME 60/192
12	402.0208	U-glijlager 192	U-slide bearing 192
13	953.0742	Pick-up plaat 60-li.	Pick-up-Plate 60-left
14	912.0671	Spanstrip TB-10	Tensioning strip TB-10
14a	302.0935	Spanbout M10×140	Tension bolt M10×140
15	353.0202	Spanblok-50	Tension block-50
17	316.0719	Sluitplaat 10,5 mm	Washer 10,5 mm
18	301.0726	Bout M10×60	Bolt M10×60
19	961.0526	Rolplaat links Rap.100	Roller plate left Rap.100
19a	961.0528	Pick-up hefplaat links Rap.130	Pick-up lifting plate left Rap.130
20	356.0128	Ketting ¾" - 77	Chain ¾" - 77
21	356.0129	Verbindingsschakel ¾"	Joining link ¾"
22	936.0809	Eindflens 60/8	End flange 60/8
24	953.0673	Kettingwiel ¾"-26 met breekbout	Chain wheel ¾" - 26 with shearing bolt
24a	900.0211	Breekbout M12×62	Shearing bolt M12×62
25	313.0121	Borgring A-60	Locking ring A-60
28	926.0164	Ring - 27	Ring - 27
29	353.0350	Kettingwiel ¾"-19/35x31	Chain wheel ¾" - 19/35x31
30	313.0105	Borgring A-35	Safety ring A-35
31	306.0359	Plaatmoer M8 zelfborgend	Self-locking plate nut M8
32	301.0801	Bout M8×16	Bolt M8×16
32a	316.0722	Sluitplaat 8,4 mm	Washer 8,4 mm
33	375.0501	Beschermkap	Protective cover
34	301.0715	Bout M12×45	Bolt M12×45
35	316.0702	Sluitring A13	Washer A13
36	921.0024	Aanslagnok	Stop boss
37	306.0302	Borgmoer M12	Locking nut M12
38	301.0809	Bout M10×20	Bolt M10×20
39	316.0906	Veerring 10 mm	Spring washer 10 mm
40	316.0715	Sluitring R 11	Washer R 11
41	934.0474	Afdekkapje buiten	Guard, outer
42	432.0790	Wiel 4.00×4-6 Pr.	Wheel 4.00×4-6 Pr.
43	301.0811	Bout M10×30	Bolt M10×30
44	316.0742	Sluitring 50/11-8	Washer 50/11-8
45	402.0141	Glijlager 35/20	Slide bearing 35/20
46	967.0432	Loopwielenarm	Runner wheel arm
47	920.0839	Loopwielenas	Runner wheel shaft
48	968.0343	Achterplaat	Back plate
49	303.0912	Pl. verzonken bout M8×20	Countersunk bolt M8×20



11. PICK-UP SUSPENSION WITH DRIVE (6-ROWS) RAPIDE 135 AND 165

11. PICK-UP OPHANGING MET AANDRIJVING (6-BALKS) RAPIDE 135 EN 165

<i>Fig.</i>	<i>SR-no.</i>	<i>Omschrijving</i>	<i>Description</i>
1	433.0118	6-Balks Pick-up compleet (zie blz. 33)	Pick-up, 6 rows, complete (See page 33)
2	969.1272	Buitenplaat Li.	Outer plate left
	969.1273	Buitenplaat Re.	Outer plate right
4	969.1328	Pick-up hefplaat Re.	Pick-up lifting plate right
5	355.3006	Hydraulische cilinder (incl. 5a en b)	Hydr. cylinder (incl. 5a and b)
5a	402.0151	Glijlager 20/30	Slide bearing 20/30
5b	454.0812	Set afdichtingen t.b.v. 5	Set of seals for 5
7	402.0208	U-glijlager 192	U-Slide bearing 192
8	953.0756	Pick-up plaat R8/P6 Re.	Pick-up plate R8/P6 right
9	303.0948	Pl. verzonken bout M10×30	Countersunk bolt M10×30
10		Invoerrol (zie blz. 37)	Feed roller (See page 37)
11	900.0132	Flenslager RME 60/192	Flange bearing RME 50/162
12	402.0208	U-Glijlager 192	U-Slide bearing 192
13	953.0744	Pick-up plaat R8/P6 Li.	Pick-up plate R8/P6 left
14	912.0671	Spanstrip TB-10	Tensioning strip TB-10
14a	302.0935	Spanbout M10×140	Tension bolt M10×140
15	353.0204	Spanblok-65	Tension block-65
17	316.0719	Sluitplaat 10,5 mm	Washer 10,5 mm
18	301.0752	Bout M10×75	Bolt M10×75
19	969.1327	Pick-up hefplaat Li.	Pick-up lifting plate, left
20	356.0192	Ketting 1"-63	Chain 1"-63
21	356.0144	Verloopschalm 1"	Adapter link 1"
	356.0143	Verbindingsschakel 1"	Joining link 1"
22	936.0809	Eindflens 60	End flange 60
24	953.0672	Kettingwiel 1" - 21 met breekbout	Chain wheel 1" - 21 with shearing bolt
24a	900.0311	Breekbout M12×55	Shearing bolt M12×55
25	313.0121	Buitenborgring A-60	Locking ring A-60
29	953.0689	Kettingwiel 1"-18 met vrijloop	Chain wheel 1"-18, with freewheel device
30	921.0279	Eindschijf	End disc
30a	403.0121	Schijf AS-3047	Disc AS-3047
30b	303.0932	Verz. Bout M12×25	Countersunk bolt M12×25
31	306.0359	Plaatmoer M8 zelfborgend	Self-locking nut M8
32	301.0801	Bout M8×16	Bolt M8×16
32a	316.0722	Sluitplaat 8,4 mm	Washer 8,4 mm
33	375.0513	Beschermkap	Protective cover
34	301.0715	Bout M12×45	Bolt M12×45
35	316.0702	Sluitring A13	Washer A13
37	306.0302	Borgmoer M12	Locking nut M12
38	301.0809	Bout M10×20	Bolt M10×20
39	316.0906	Veerring 10 mm	Spring washer 10 mm
40	316.0715	Sluitring R 11	Washer R 11
42	432.0880	Wiel 15x16.00-6-V64 6PR	Wheel 15x16.00-6-V64 6PR
48	969.1129	Achterplaat	Rear plate
49	303.0912	Pl. verzonken bout M8×20	Countersunk bolt M8×20
50	301.0804	Bout M12×35	Bolt M12×35
51	913.0271	Hefblok	Lifting block
51a	281.0028	Slijtstrip	Wear strip
51b	913.0272	Steunstrip	Support strip



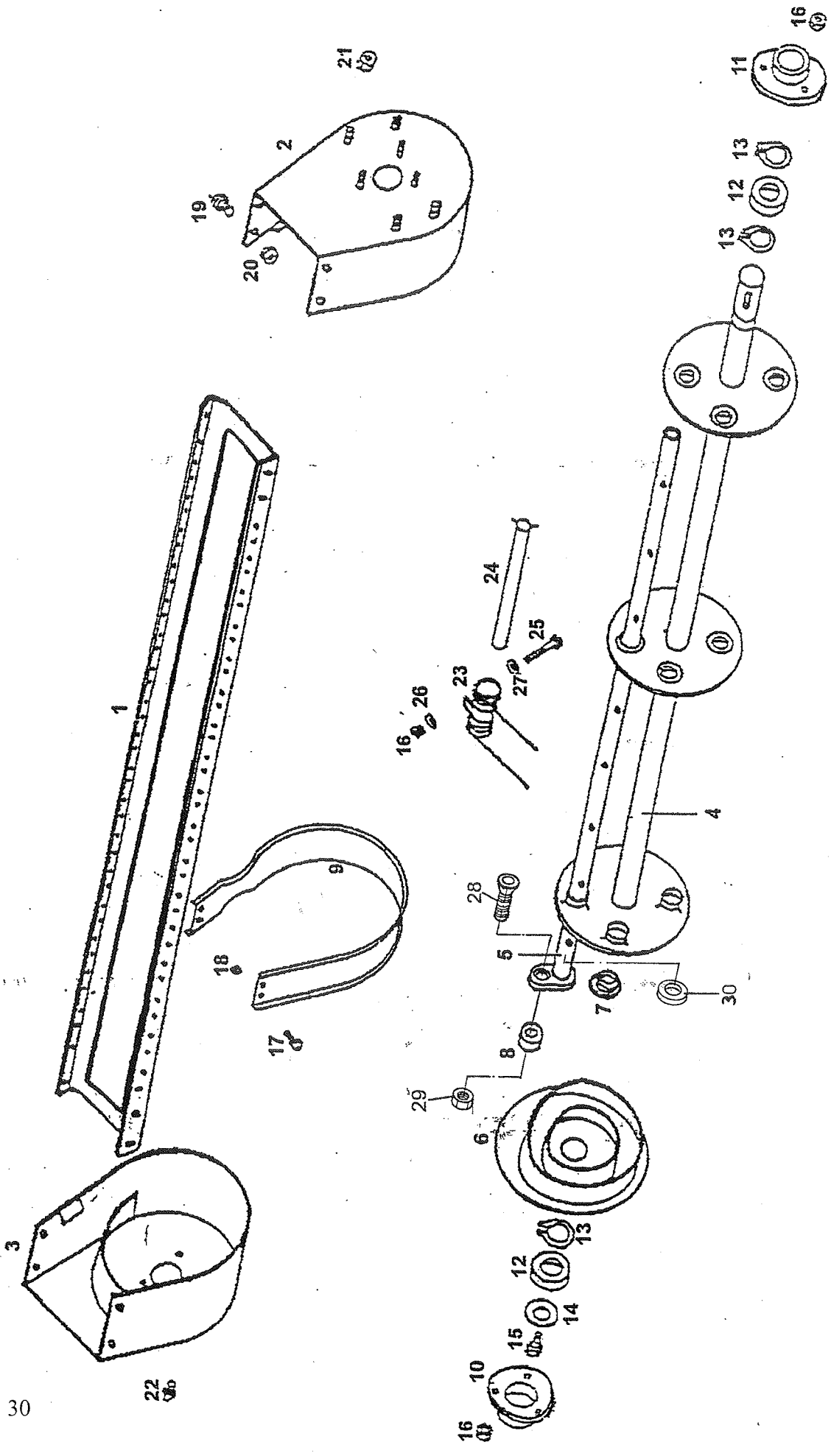
12. PICK-UP (6-ROWS) SPRING SUSPENSION GEAR

12. PICK-UP (6-BALKS) VERENDE OPHANGING

Drawing no. : 975.0037-2

<i>Fig.</i>	<i>SR-no.</i>	<i>Omschrijving</i>	<i>Description</i>
1	462.0179	Staalkabel	Steel cable
2	281.0034	Kabelrol	Cable roller
2a	925.0712	Busje L=40.	Tube L=40
2b	301.0725	Bout M10x65	Bolt M10x65
2c	316.0705	Sluitring A10,5	Washer A10,5
2d	306.0306	Borgmoer M10	Locking nut M10
3	969.1839	Veerbuis-KB	Springtube-KB
4	331.0116	Trekveer	Draw spring
5	349.0115	Pijpklambeugel 76/M12	Clamp 76/M12
5a	306.0302	Borgmoer M12	Locking nut M12
5b	316.0702	Sluitring A13	Washer A13
6	969.0998	Veerspanstang	Spring stretcher
7	316.0725	Sluitring A21	Washer A21
8	306.0706	Moer M20	Nut M20

30

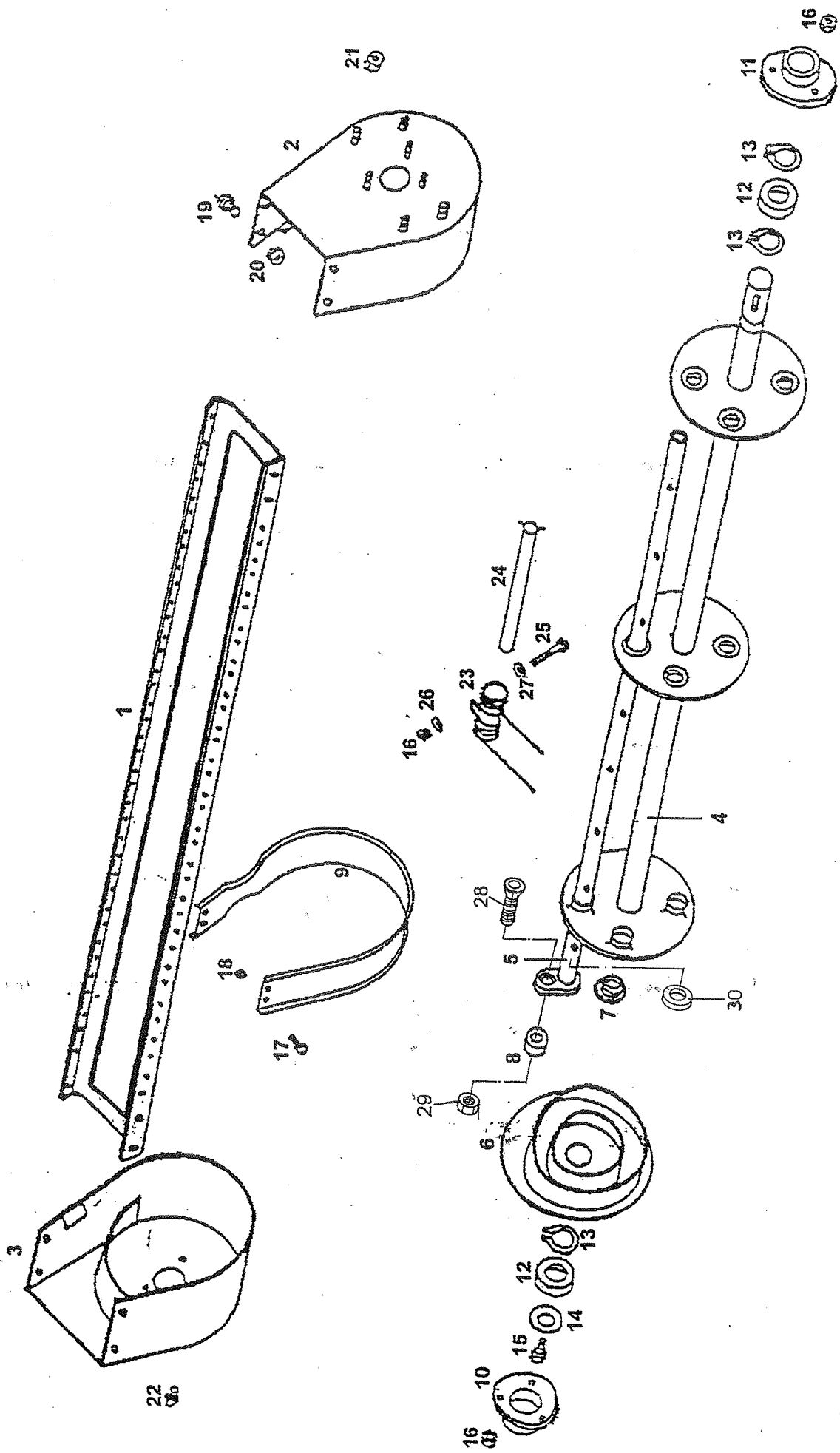


13. 5-ROWS PICK-UP

13. 5-BALKS PICK-UP

Article no. complete pick-up: 433.0108

<i>Fig.</i>	<i>SR-no.</i>	<i>Omschrijving</i>	<i>Description</i>
-	433.0108	Pick-up 5-balks	Pick-up 6-rows
2	458.0045	Eindkap links	End cover left
3	458.0046	Eindkap rechts	End cover right
4	458.0047	Aandrijfvas	Drive shaft
5	458.0048	Veerass	Spring shaft
6	458.0049	Curve-plaat	Curve plate
7	450.0938	Nylonbus	Nylon sleeve
8	401.0216	Looprol LR-5201	Roller bearing LR-5201
9	458.0050	Geleidebeugel	Guide bracket
10	458.0054	Lagerhuis blind	Bearing housing
11	458.0055	Lagerhuis met gat	Bearing housing (with hole)
12	401.0175	Kogellager 6207-2RS	Ball bearing 6207-2RS
13	313.0105	Buitenborgring A35	Locking ring A35, outside
14	934.0236	Ring Ø10/40×3	Ring Ø10/40×3
15	301.0801	Bout M8×16	Bolt M8×16
16	306.0312	Borgmoer M8	Locking nut M8
17	301.0820	Bout M6×16	Bolt M6×16
18	306.0707	Moer M6	Nut M6
19	301.0809	Bout M10×20	Bolt 10×20
20	306.0701	Moer M10	Nut M10
21	306.0704	Moer M12	Nut M12
22	342.0103	Smeernippel M10×1-180	Grease nipple M10×1-180
23	458.0053	Pick-up tand	Pick-up tine
24	458.0051	Tandveerbuis	Tine spring tube
25	301.0136	Bout M8×50-12.9	Bolt M8×50-12.9
26	316.0713	Sluitring R9	Washer R9
27	458.0052	Klemstukje	Clamping piece
28	303.0930	Verz. Bout M12×40	Countersunk bolt M12×40
29	458.0068	Moer M12	Nut M12
30	458.0078	Tussenring D.28x4	Disc D.28x4



14. 6-ROWS PICK-UP

14. 6-BALKS PICK-UP

<i>Fig.</i>	<i>SR-no.</i>	<i>Omschrijving</i>	<i>Description</i>
-	433.0118	Pick-up 6-balks	Pick-up 6-rows
2	458.0067	Eindkap links	End cover left
3	458.0057	Eindkap rechts	End cover right
4	458.0069	Aandrijfas 1.3/4-6	Drive shaft 1.3/4-6
5	458.0069	Veerass	Spring shaft
6	458.0062	Curve-plaat	Curve plate
7	450.0938	Nylonbus	Nylon bush
8	401.0216	Looprof LR-6201	Roller bearing LR-6201
9	458.0063	Geleidebeugel	Guide bracket
10	458.0064	Lagerhuis	Bearing housing
11	458.0064	Lagerhuis	Bearing housing
12	401.0208	Kogellager 6209-2RS	Ball bearing 6209-2RS
13	313.0111	Buitenborgring A45	Locking ring A45
14	934.0236	Ring Ø10/40×3	Ring Ø10/40×3
15	301.0801	Bout M8×16	Bolt M8×16
16	306.0380	Borgmoer M8.10	Locking nut M8.10
17	301.0820	Bout M6×16	Bolt M6×16
18	306.0707	Moer M6	Nut M6
19	301.0809	Bout M10×20	Bolt M10×20
20	306.0701	Moer M10	Nut M10
21	306.0704	Moer M12	Nut M12
22	342.0103	Smeernippel M10×1-180	Grease nipple M10×1-180
23	458.0072	Pick-up tand	Pick-up tine
24	458.0051	Tandveerbuis	Tine spring tube
25	301.0136	Bout M8×50-12.9	Bolt M8×50-12.9
26	316.0713	Sluitering R9	Washer R9
27	458.0052	Klemstukje	Clamping piece
28	303.0930	Verz.bout M12×40	Countersunk bolt M12×40
29	458.0068	Moer M12	Nut M12
29	458.0078	Tussenring D.28x4	Disc D.28x4

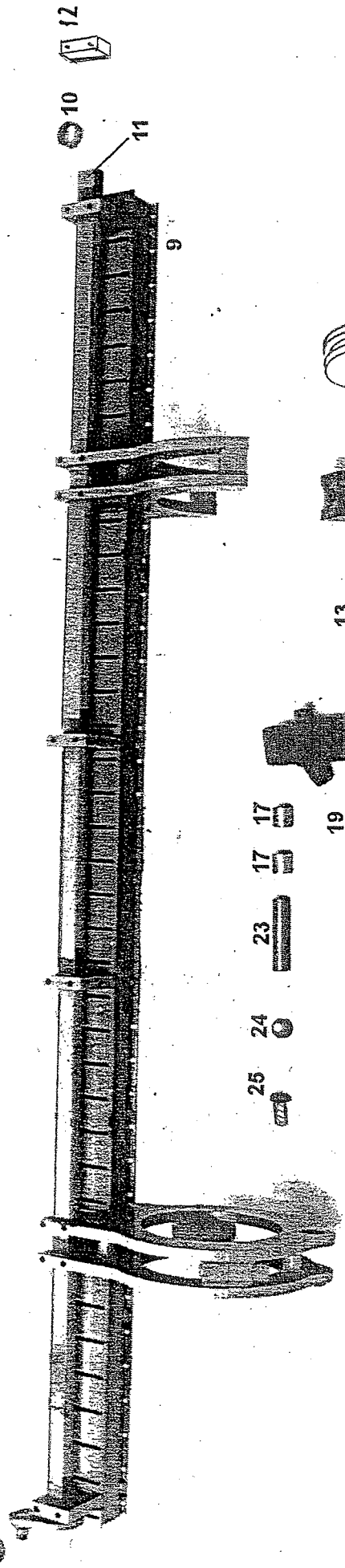


5 6 7

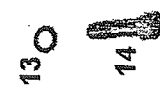
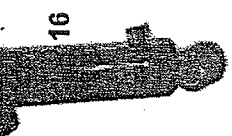
4

8

26



25 24 23 17 17



13



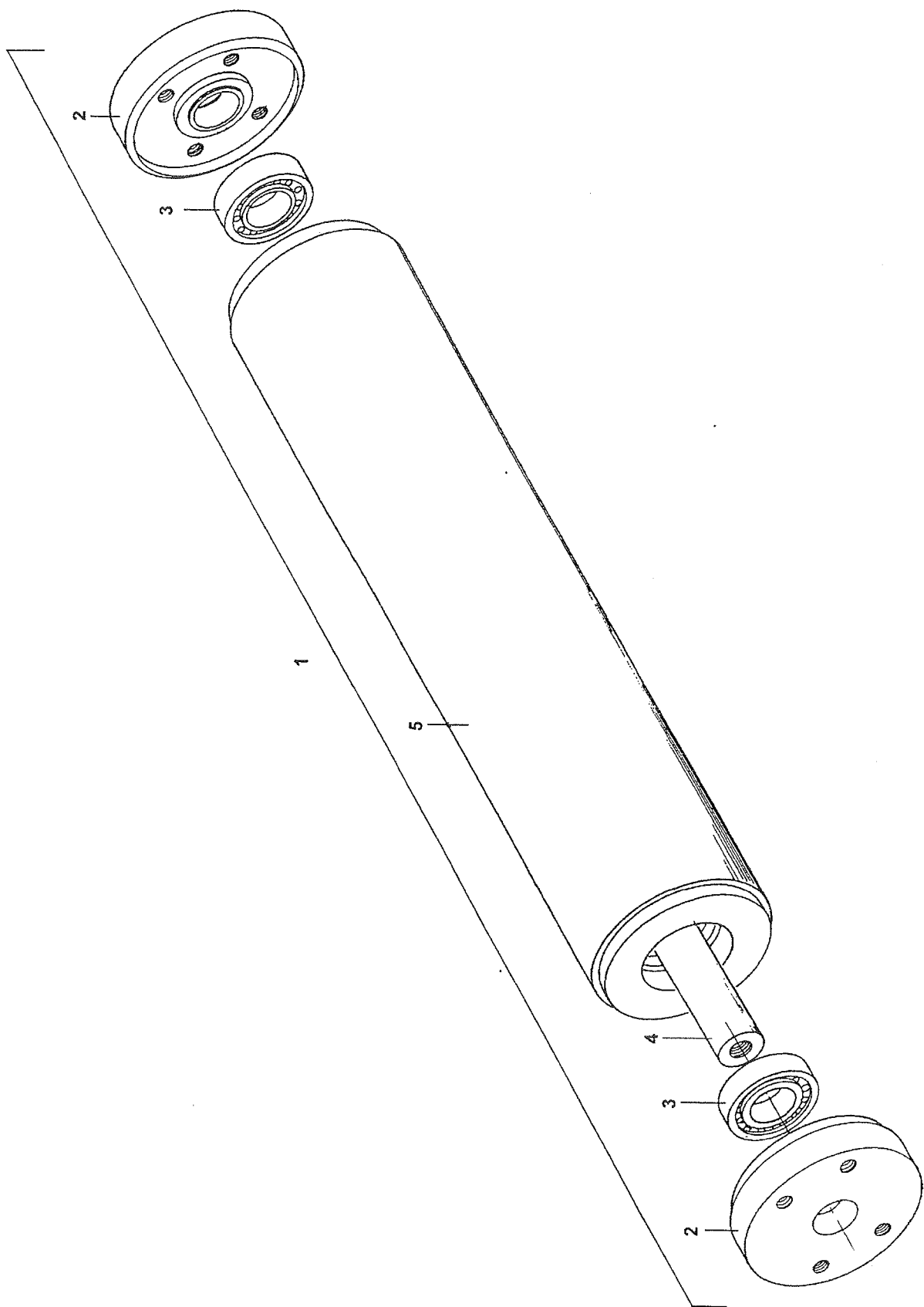
15

15. CHOPPING DEVICE DBA

15. SNIJ-INRICHTING DBA

Drawing no. 975.0042

Fig.	SR-no.	Omschrijving	Description
1	433.0102	Mes	Knife
2	913.1351	Klemstrip 160/40 Rap. 100; 130	Clamping strip 160/40 Rap. 100; 130
	913.1353	Klemstrip 175/44 Rap. 135; 165	Clamping strip 175/44 Rap. 135; 165
3	374.0209	Rubber afdichtstrook 160/40 Rap. 100;130	Rubber sealing 160/40 Rap. 100; 130
	374.0210	Rubber afdichtstrook 175/44 Rap. 135; 165	Rubber sealing 175/44 Rap. 135; 165
4	913.1350	Steunstrip 160/40 Rap. 100; 130	Support strip 160/40 Rap. 100; 130
	913.1352	Steunstrip 175/44 Rap. 135; 165	Support strip 175/44 Rap. 135/ 165
5	316.0705	Sluistring A10,5	Washer A10,5
6	316.0906	Veerring 10 mm	Spring washer 10 mm
7	301.0811	Bout M10x30	Bolt M10x30
8	301.0722	Bout M10x40	Bolt M10x40
9	953.0770	Messenbalk (incl. 10 t/m 14) Rap. 100; 130	Cutter bar (incl. 10 to 14) Rap. 100; 130
	953.0771	Messenbalk (incl. 10 t/m 14) Rap. 135; 165	Cutter bar (incl. 10 to 14) Rap. 135; 165
10	402.0167	Glijlager 30/36-5	Slide bearing 30/36-5
11	967.0040	Messenborgas 160 Rap. 100; 130	Knife-locking shaft 160 Rap. 100; 130
	969.1126	Messenborgas 175 Rap. 135; 165	Knife-locking shaft 175 Rap. 135; 165
12	913.1140	Klemblokje	Clamping strip
13	316.0919	Tandveerring J16,5	Toothed spring ring J16,5
14	302.0622	Cilinder kopbout M16x60	Cylinder head bolt M16x60
15	301.0801	Bout M8x16	Bolt M8x16
16	355.0791	Hydr. cilinder D25-50/138 (incl. 17)	Hydr. cylinder D20-40/138 (incl. 17)
	454.0813	Set afdichtingen t.b.v. 16	Set of seals for 16
17	402.0129	Glijlager 20/25	Slide bearing 20/25
18	920.0751	Scharnierpen	Pivoting pin
20	355.0142	Rechte fitting 1/2"	Straight fitting 1/2"
20a	355.0280	Sluitschroef 1/2"	Closing screw 1/2"
21	953.0716	Hydr. membraanaccu 80bar (incl. 20)	Hydr. accumulator 80bar (incl. 20)
	953.0717	Hydr. membraanaccu 120bar (incl. 20)	Hydr. accumulator 120bar (incl. 20)
23	900.0379	Bout M20x155	Bolt M20x155
23a	926.0197	Busje L15	Buch L15
23b	306.0314	Borgmoer M20	Locking nut M20
24	306.0704	Moer M12	Nut M12
25	301.0804	Bout M12x35	Bolt M12x35
26	401.0201	Looprol LR 202 NPP	Roller bearing LR 202 NPP
26	401.0214	Glijlagerring 158/12	Slide bearing 158/12

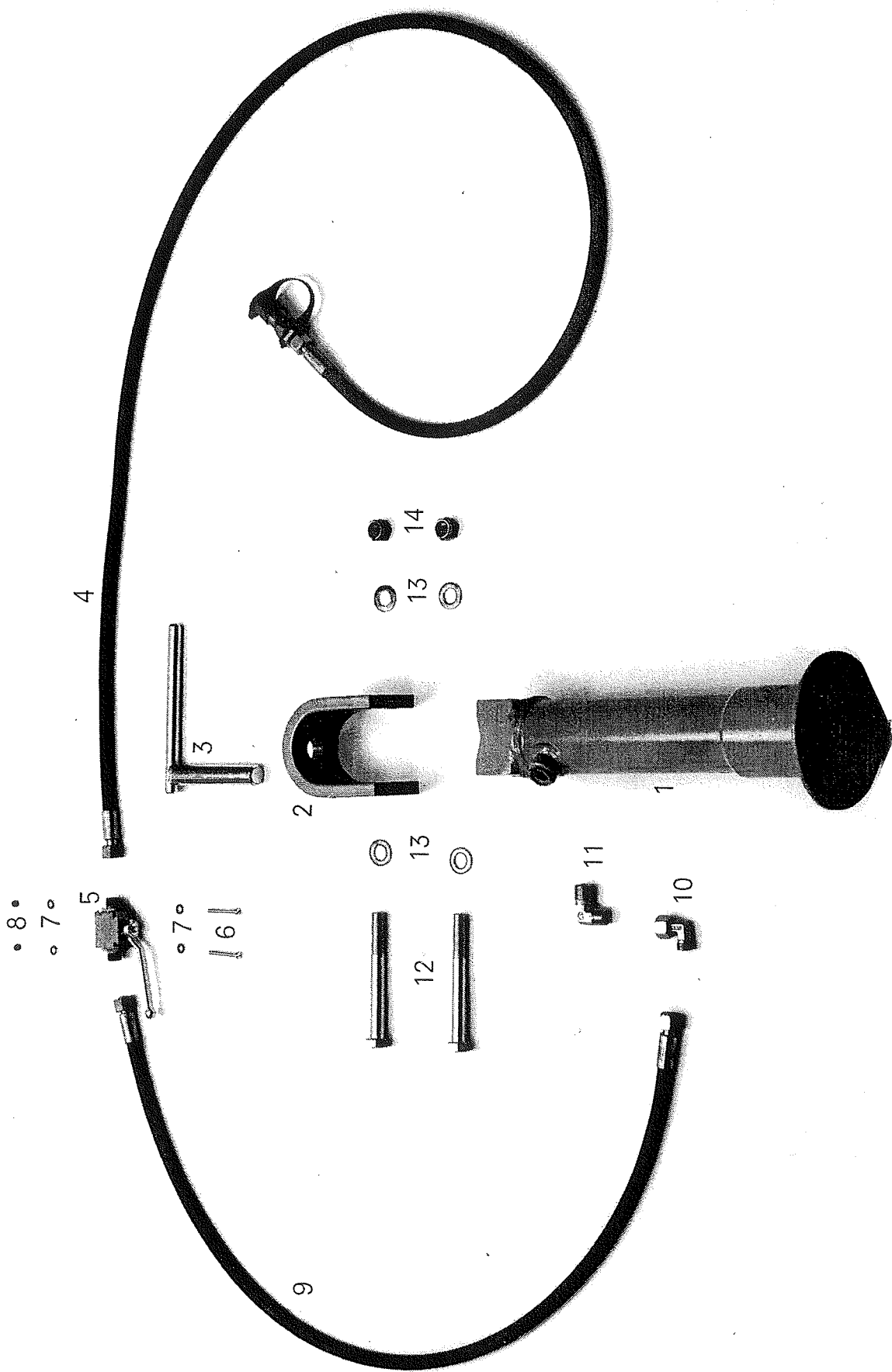


16. FEED ROLLER.

16. INVOERROL

Drawing no. 975.0010

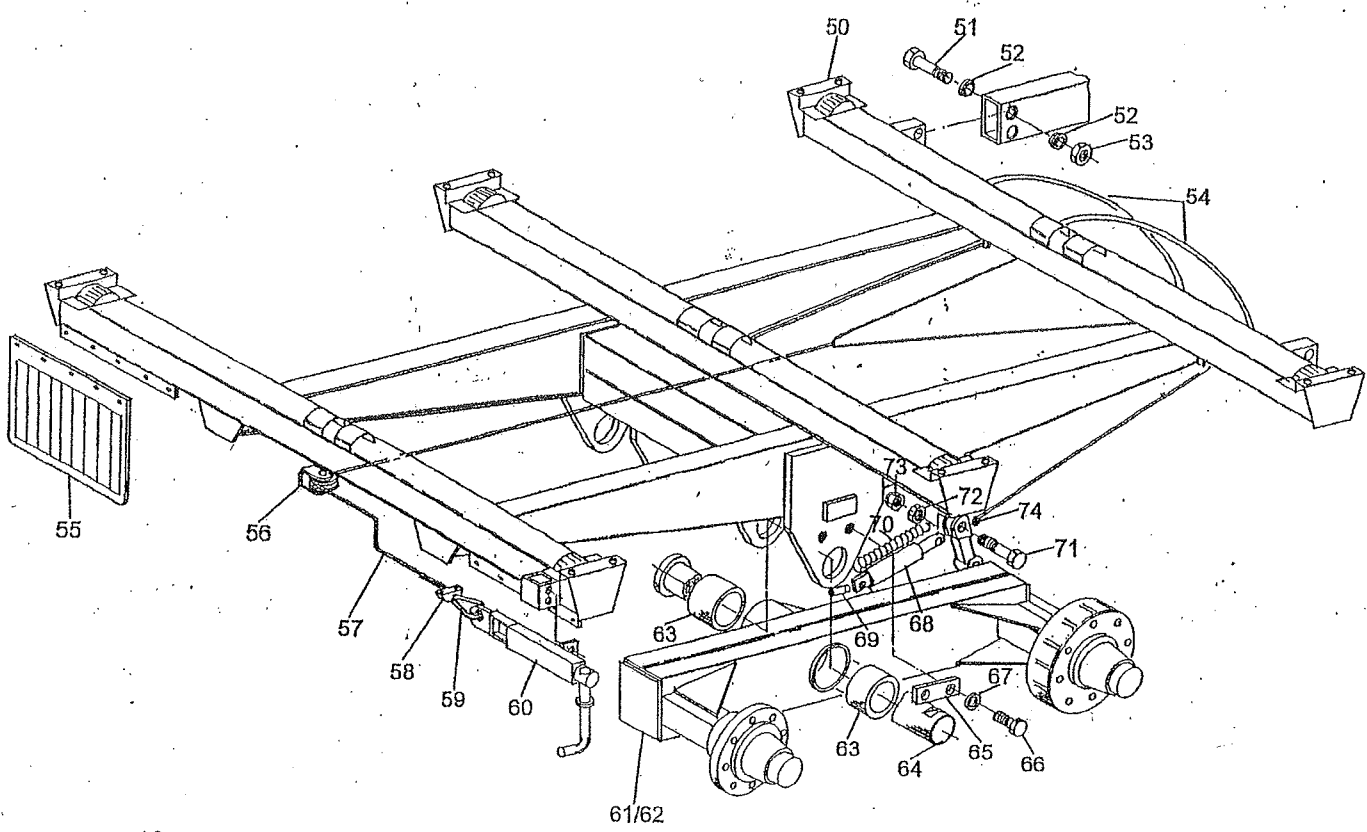
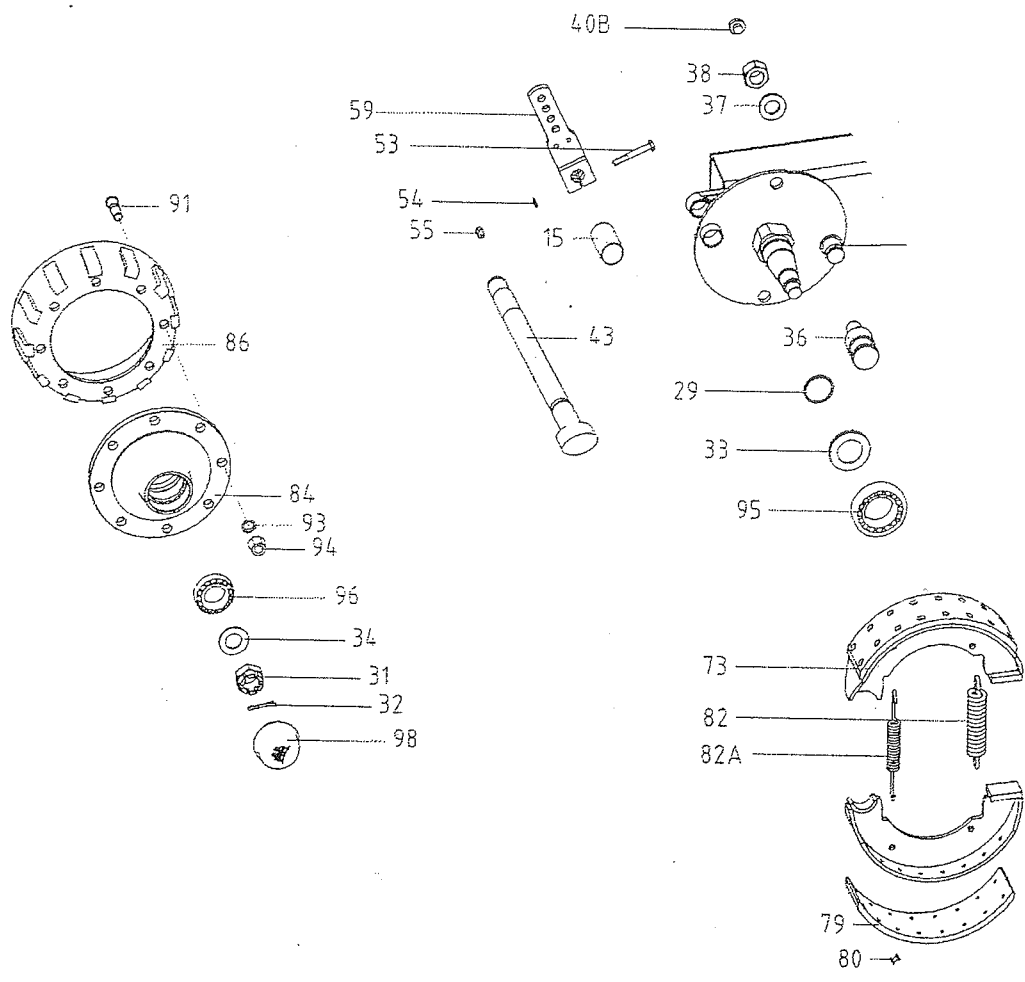
<i>Fig.</i>	<i>SR-no.</i>	<i>Omschrijving</i>	<i>Description</i>
1	953.0503	Invoerrol compleet Rap. 100	Feed roller complete Rap. 100
	953.0574	Invoerrol compleet Rap. 130	Feed roller complete Rap. 130
	953.0573	Invoerrol compleet Rap. 135; 165	Feed roller complete Rap. 135; 165
2	920.0799	Eindflens	End flange
3	401.0175	Kogellager 6207-2RS	Ball bearing 6207-2RS
4	920.0801	Rol-as Rap. 100	Roller shaft Rap. 100
	921.0055	Rol-as Rap. 130	Roller shaft Rap. 130
	921.0523	Rol-as Rap. 135; 165	Roller shaft Rap. 135; 165
5	967.0338	Invoerrol Rap. 100	Feed roller Rap. 100
	968.0734	Invoerrol Rap. 130	Feed roller Rap. 130
	969.1128	Invoerrol Rap. 135; 165	Feed roller Rap. 135; 165



17. HYDRAULIC PARKING SUPPORT

17. HYDRAULISCHE STEUNPOOT

<i>Fig.</i>	<i>SR-no.</i>	<i>Omschrijving</i>	<i>Description</i>
1	967.0781	Steunpootcilinder	Parking support cylinder
1a	454.0059	Set afdichtingen t.b.v. 1	Set of seals for 1
2	911.0784	Scharnierstuk	Hinge piece
3	967.0780	Grendelpen	Locking pin
4	417.0406	Hydr. slang	Hydr. Hose
	355.0667	Tweeweg kogelkraan NW10	Two-way bal valve NW10
6	303.0952	Cilinder kopschroef M5×45	Cylinder head screw M5×45
7	316.0730	Sluitring A5,3	Washer A5,3
8	306.0335	Borgmoer M5	Locking nut M5
9	417.0404	Hydr. slang	Hydr. Hose
10	355.0197	Instelbare haakse koppeling 12	Adjustable angle coupling 12
11	355.0124	Haakse koppeling	Angle coupling
12	301.0783	Bout M16×140	Bolt M16×140
13	316.0707	Sluitring A17	Washer A17
14	306.0303	Borgmoer M16	Locking nut M16

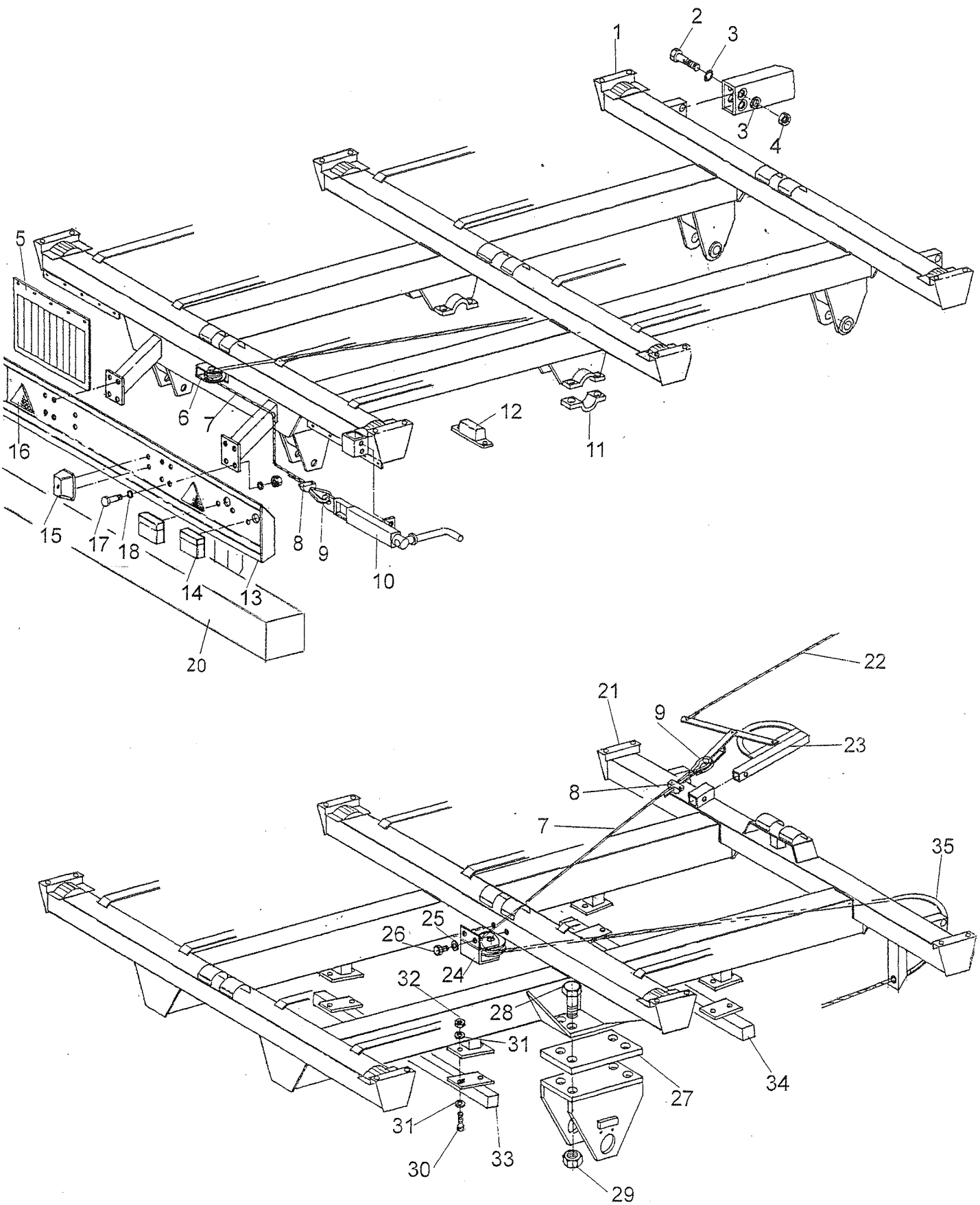


18. TANDEM FRAME BPW-TAP RAPIDE 100

18. TANDEMFRAME BPW-TAP RAPIDE 100

Drawing no. 975.0026

Fig.	SR-no.	Omschrijving	Description
		Asstomp	Stub axle
29	452.0010	Steuuring 32014	Supporting ring 32014
31	306.0317	Kroonmoer M36x1,5	Castle nut M36x1,5
32	375.0124	Splitpen 6x65	Split pin 6mm
33	452.0011	Dichtring 32014	Sealing ring 32014
34	316.0739	Sluitring A37	Washer A37
36	452.0021	Rembout 318	Brake bolt 318
37	316.0727	Sluitring A26	Washer A26
38	306.0318	Borgmoer M24x1,5	Locking nut M24x1,5
43	452.0053	Remas	Brake shaft
53	301.0752	Bout M10x75	Bolt M10x75
54	316.0705	Sluitring A10,5	Washer A10,5
55	306.0306	Borgmoer M10	Locking nut M10
59	452.0048	Remhefboom	Brake lever
73	452.0016	Remschoen set cpl.	Brake shoe set cpl.
82	450.0531	Trekveer	Draw spring
82a	450.0274	Trekveer	Draw spring
84	452.0003	Wielnaaf	Wheel hub
86	452.0007	Remtrommel	Brake drum
91	450.0629	Wielbout M20x1,5-70	Wheel bolt M20x1,5-70
	450.0835	Wielbout M20x1,5-54	Wheel bolt M20x1,5-54
93	450.0631	Conische veerring C20,5	Conical springring C20,5
94	450.0417	Wielmoer M20x1,5	Wheel nut M20x1,5
95	401.0147	Kegellager 32014	Cone bearing 32014
96	450.0319	Kegellager 30210	Cone bearing 30210
98	450.0639	Naafdop ø90	Hub cap ø90
		Tandemframe	Tandem frame
50	961.0935	Tandemframe TAP	Tandem frame TAP
51	301.0771	Bout M20x90	Bolt M20x90
52	316.0311	Conische veerring 20mm	Conical spring ring 20mm
53	306.0706	Moer M20	Nut M20
55	374.0167	Spatlap 500x400	Mud guard 500x400
61	435.0932	Pendelarm 1050-Li.	Oscillating lever 1050-Left
62	435.0933	Pendelarm 1050-Re.	Oscillating lever 1050-Right
63	450.0950	Glijlagerbus	Slide-bearing bush
64	435.0907	Pendelas	Oscillating axle
65	435.0908	Borgplaat	Locking plate
66	301.0825	Bout M16x30	Bolt M16x30
67	316.0901	Veerring 16mm	Spring washer 16mm
68	355.0774	Remcilinder	Brake cylinder
68a	454.0802	Set afdichtingen	Set of seals
69	312.0113	Spanstift 6mm	Clamping pin 6mm
70	331.0106	Trekveer	Draw spring
71	301.0759	Bout M16x80	Bolt M16x80
72	306.0702	Moer M16	Nut M16
73	306.0303	Borgmoer M16	Locking nut M16
74	969.2110	Remhefboom Hydr.	Brake lever Hydr.

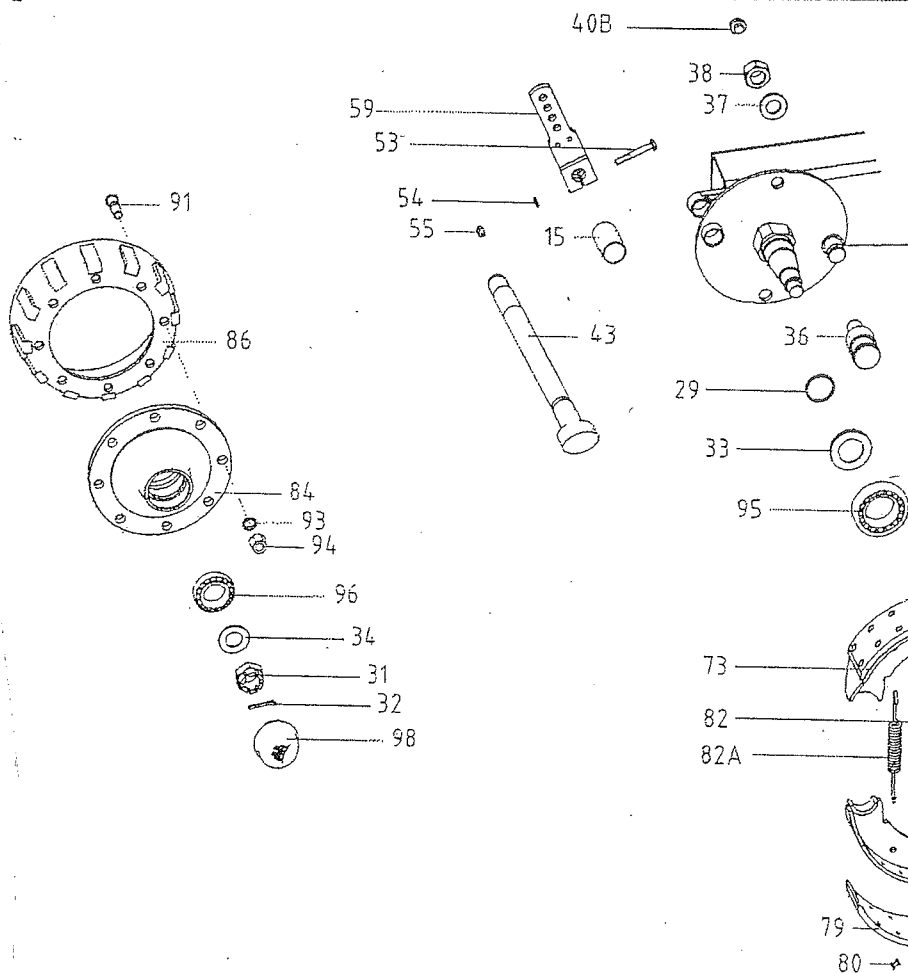
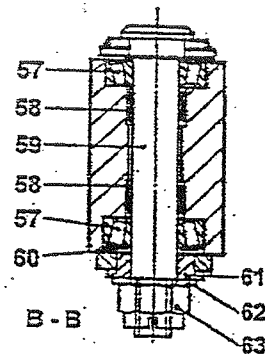
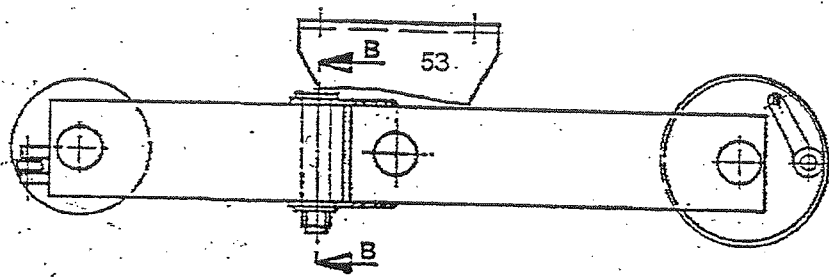
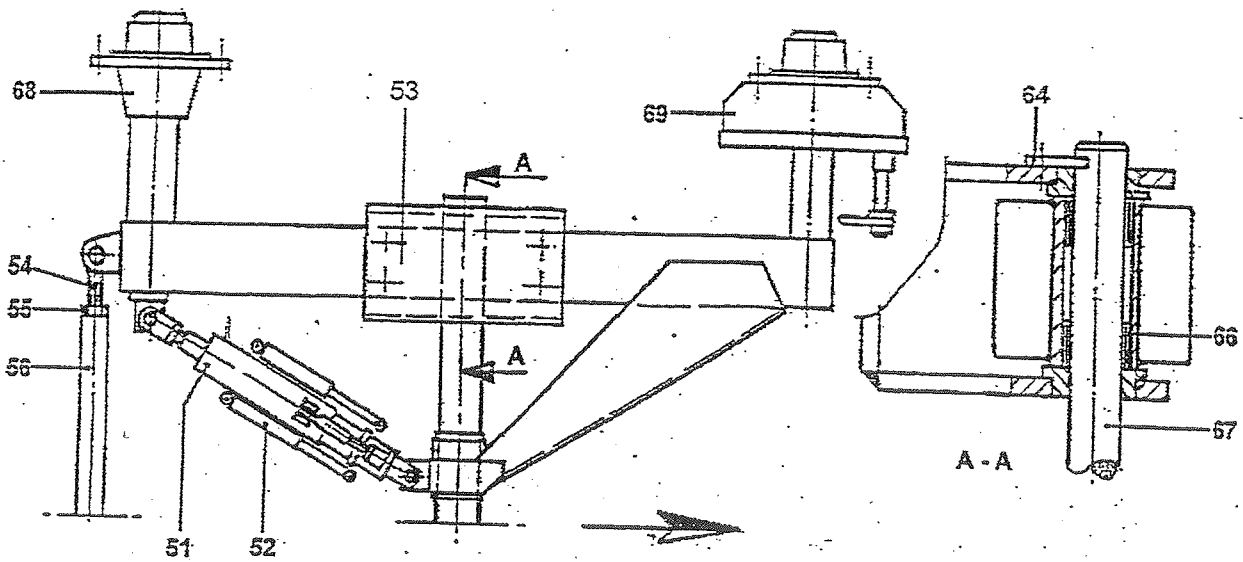


19. TANDEM FRAME RAPIDE 130; 135 AND 165

19. TANDEMFRAME RAPIDE 130; 135 EN 165

Drawing no.975.0027

<i>Fig.</i>	<i>SR-no.</i>	<i>Omschrijving</i>	<i>Description</i>
2	301.0771	Bout M20×90	Bolt M20×90
3	316.0311	Conische veerring 20mm	Conical spring ring 20mm
4	306.0706	Moer M20	Nut M20
13	969.0995	Verlichtingsbalk	Lightings beam
14	480.0024	Achterlamp	Rear light
14a	482.0132	Glas voor achterlamp	Glass for rear light
16	482.0201	Driehoek-reflector	Reflecting warning triangle
17	301.0811	Bout M10x30	Bolt M10x30
18	316.0705	Sluitring A10,5	Washer A10,5
19	306.0606	Borgmoer M10	Locking nut M10
21	961.0110	Tandemframe Rap. 130	Tandemframe Rap. 130
	969.1290	Tandemframe Rap. 135	Tandemframe Rap. 135
	969.2111	Tandemframe Rap. 165-WI	Tandemframe Rap. 165-WI
28	301.0790	Bout M24x2-75	Bolt M24x2-75
29	306.0333	Borgmoer M24x2	Locking nut M24x2
30	301.0804	Bout M12x35	Bolt M12x35
31	316.0702	Sluitring A13	Washer A13
32	306.0302	Borgmoer M12	Locking nut M12
33	961.0747	Pendelstop-achter	Bumpstop-rear
34	961.0747	Pendelstop-achter	Bumpstop-front



20. TANDEM BPW-TAL RAPIDE 130; 135

20. TANDEM BPW-TAL RAPIDE 130; 135

<i>Fig.</i>	<i>SR-nr.</i>	<i>Omschrijving</i>	<i>Benennung</i>
1	435.0921	Pendel tandem TAL 18/1300-8/2	Rocker suspension TAL 18/1300-8/2
51	452.0100	Arreteercilinder	Stop cylinder
52	452.0101	Schokdemper	Shock absorber
53	452.0110	Pendelbok	Oscillatingconsole
54a	401.0266	Stangkop GAKFR 20 PW	Rod end GAKFR 20 PW
54b	401.0265	Stangkop GAKFL 20 PW	Rod end GAKFL 20 PW
55a	306.0369	Lage moer M20×1,5 li.	Nut M20×1,5 li.
55b	306.0370	Lage moer M20×1,5 re.	Nut M20×1,5 re.
57	450.0298	Kegellager 32211	Cone bearing 32211
58	452.0103	Lagerbus	Slide bearing
59	452.0104	Scharnieras	Hinge bolt
60	452.0105	Nilosring	Nilos ring
61	452.0106	Steunring	Supporting ring
62	452.0107	Schijf	Disc
63	306.0317	Kroonmoer M36×1,5	Castle nut M36x1,5
64	435.0908	Borgplaat	Locking plate
66	450.0950	Glijlager	Slide bearing
67	452.0111	Pendelas	Swing axle
68	-	Asstomp Ongeremd	Stub axle unbraket
69	-	Asstomp geremd	Stub axle braket
29	452.0012	Steunring 32215	Supporting ring 32215
31	450.0839	Kroonmoer M52x2	Castle nut M52x2
32	375.0139	Splitpen 8x90	Split pin 8x90
33	452.0013	Dichtring 32215	Sealing ring 32215
36	452.0043	Rembout-dubbel	Brake bolt
37	316.0727	Sluitring A26	Washer A26
38	316.0318	Borgmoer M24x1,5	Locking nut M24x1,5
43	452.0054	Remas L-BH	Brake shaft L-BH
	452.0055	Remas L-GS	Brake shaft L-GS
	452.0056	Remas H-BH	Brake shaft H-BH
53	301.0752	Bout M10x75	Bolt M10x75
54	316.0705	Sluitring A10,5	Washer A10,5
55	306.0306	Borgmoer M10	Locking nut M10
59	452.0048	Remhefboom	Brake lever
	452.0015	Remhefboom GS	Brake lever GS
73	450.0530	Remschoenset 408 cpl.	Brake shoe set 408 cpl.
82	450.0531	Trekveer	Draw spring
82A	450.0274	Trekveer	Draw spring
84	450.0834	Wielnaaf	Wheel hub
86	450.0650	Remtrommel	Brake drum
91	450.0629	Wielbout M20x1,5-70	Wheel bolt M20x1,5-70
	450.0835	Wielbout M20x1,5-54	Wheel bolt M20x1,5-54
93	450.0631	Conische veerring C20,5	Conical springring C20,5
94	450.0471	Wielmoer M20x1,5	Wheel nut M20x1,5
95	401.0196	Kegellager 32215	Cone bearing 32215
96	401.0195	Kegellager 32213	Cone bearing 32213
98	450.0840	Naafdop ø120	Hub cap ø120

